

CONTACTOR, AC-3 11 KW/400 V, AC 24 V, 50 HZ, 3-POLE, SIZE S0, CAGE CLAMP

product brand name	SIRIUS
Product designation	power contactor

General technical data:

Size of contactor	S0
Degree of pollution	3
Protection class IP	
<ul style="list-style-type: none"> • on the front 	IP20
<ul style="list-style-type: none"> • of the terminal 	IP20
Mechanical service life (switching cycles)	
<ul style="list-style-type: none"> • of contactor typical 	10 000 000
<ul style="list-style-type: none"> • of the contactor with added electronics-compatible auxiliary switch block typical 	5 000 000
<ul style="list-style-type: none"> • of the contactor with added auxiliary switch block typical 	10 000 000

Ambient conditions:

Installation altitude at height above sea level maximum	2 000 m
Ambient temperature	
<ul style="list-style-type: none"> • during operation 	-25 ... +60 °C

Main circuit:

Number of NO contacts for main contacts	3
Number of NC contacts for main contacts	0
Operating current	
<ul style="list-style-type: none"> • at AC-1 at 400 V <ul style="list-style-type: none"> — at ambient temperature 40 °C rated value 	40 A
<ul style="list-style-type: none"> • at AC-1 up to 690 V <ul style="list-style-type: none"> — at ambient temperature 40 °C rated value — at ambient temperature 60 °C rated value 	40 A 35 A
<ul style="list-style-type: none"> • at AC-3 <ul style="list-style-type: none"> — at 400 V rated value 	25 A
Operating current	
<ul style="list-style-type: none"> • at 1 current path at DC-1 <ul style="list-style-type: none"> — at 24 V rated value — at 110 V rated value • with 2 current paths in series at DC-1 	35 A 4.5 A

— at 24 V rated value	35 A
— at 110 V rated value	35 A
• with 3 current paths in series at DC-1	
— at 24 V rated value	35 A
— at 110 V rated value	35 A
Operating current	
• at 1 current path at DC-3 at DC-5	
— at 24 V rated value	20 A
— at 110 V rated value	2.5 A
• with 2 current paths in series at DC-3 at DC-5	
— at 110 V rated value	15 A
— at 24 V rated value	35 A
• with 3 current paths in series at DC-3 at DC-5	
— at 110 V rated value	35 A
— at 24 V rated value	35 A
Operating power	
• at AC-1	
— at 400 V rated value	23 kW
• at AC-2 at 400 V rated value	11 kW
• at AC-3	
— at 400 V rated value	11 kW
— at 500 V rated value	11 kW
— at 690 V rated value	11 kW
Power loss [W] at AC-3 at 400 V for rated value of the operating current per conductor	1.6 W

Control circuit/ Control:

Type of voltage of the control supply voltage	AC
Control supply voltage at AC	
• at 50 Hz rated value	24 V
• rated value	50 Hz
Operating range factor control supply voltage rated value of magnet coil at AC	
• at 50 Hz	0.8 ... 1.1
Apparent pick-up power of magnet coil at AC	61 V·A
Inductive power factor with closing power of the coil	0.82
Apparent holding power of magnet coil at AC	7.8 V·A
Inductive power factor with the holding power of the coil	0.24

Auxiliary circuit:

Number of NC contacts	
• for auxiliary contacts	

— instantaneous contact	0
Number of NO contacts	
• for auxiliary contacts	
— instantaneous contact	0
Operating current at AC-12 maximum	10 A
Operating current at AC-15	
• at 230 V rated value	6 A
• at 400 V rated value	3 A
Operating current at DC-12	
• at 60 V rated value	6 A
• at 110 V rated value	3 A
• at 220 V rated value	1 A
Operating current at DC-13	
• at 24 V rated value	10 A
• at 60 V rated value	2 A
• at 110 V rated value	1 A
• at 220 V rated value	0.3 A
Contact reliability of auxiliary contacts	1 faulty switching per 100 million (17 V, 1 mA)

Short-circuit protection

Design of the fuse link	
• for short-circuit protection of the main circuit	
— with type of coordination 1 required	fuse gL/gG: 100 A
— with type of assignment 2 required	fuse gL/gG: 35 A
• for short-circuit protection of the auxiliary switch required	fuse gL/gG: 10 A

Installation/ mounting/ dimensions:

Mounting type	screw and snap-on mounting onto 35 mm standard mounting rail according to DIN EN 50022
• Side-by-side mounting	Yes
Height	85 mm
Width	45 mm
Depth	90 mm
Required spacing	
• for grounded parts	
— at the side	6 mm

Connections/ Terminals:

Type of electrical connection	
• for main current circuit	screw-type terminals
• for auxiliary and control current circuit	Cage Clamp terminals
Type of connectable conductor cross-sections	
• for main contacts	

- solid
- single or multi-stranded
- finely stranded with core end processing
- at AWG conductors for main contacts

2x (1 ... 2.5 mm²), 2x (2.5 ... 6 mm²), max. 2x 10 mm²
 2x (1 ... 2,5 mm²), 2x (2,5 ... 6 mm²), max. 2x 10 mm²
 2x (1 ... 2.5 mm²), 2x (2.5 ... 6 mm²)
 2x (16 ... 12), 2x (14 ... 10), 1x 8

Type of connectable conductor cross-sections

- for auxiliary contacts
 - solid
 - finely stranded with core end processing
 - finely stranded without core end processing
- at AWG conductors for auxiliary contacts

2x (0.25 ... 2.5 mm²)
 2x (0.25 ... 1.5 mm²)
 2x (0.25 ... 2.5 mm²)
 2x (24 ... 14)

Certificates/approvals

General Product Approval	Declaration of Conformity	Test Certificates
--------------------------	---------------------------	-------------------



[spezielle Prüfbescheinigung](#)
[n](#)

CCC

CSA

UL

EG-Konf.

Test Certificates	Shipping Approval
-------------------	-------------------

[Typprüfbescheinigung/Werkszeugnis](#)



ABS

DNV

GL

LRS

RINA

Shipping Approval	other
-------------------	-------



RMRS

[Bestätigungen](#)

[Umweltbestätigung](#)

[sonstig](#)

Further information

Information- and Downloadcenter (Catalogs, Brochures,...)

<http://www.siemens.com/industrial-controls/catalogs>

Industry Mall (Online ordering system)

<https://mall.industry.siemens.com/mall/en/en/Catalog/product?mlfb=3RT10263AB00>

Cax online generator

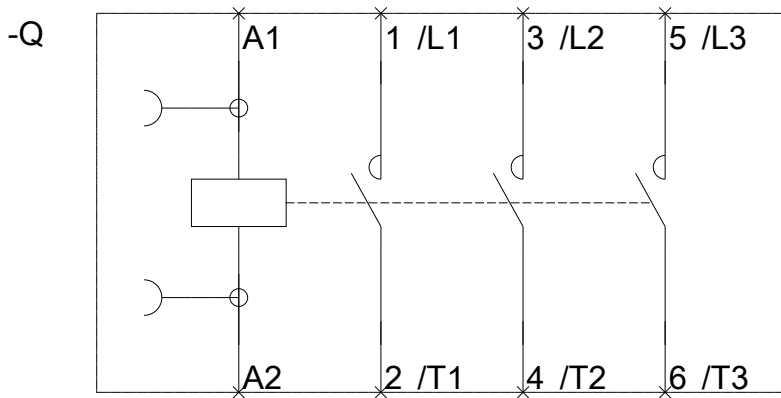
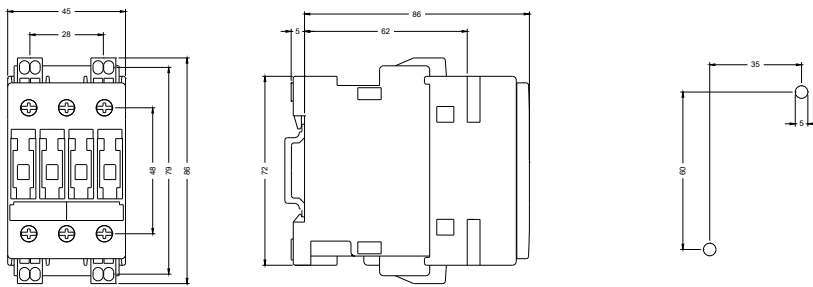
<http://support.automation.siemens.com/WW/CAXorder/default.aspx?lang=en&mlfb=3RT10263AB00>

Service&Support (Manuals, Certificates, Characteristics, FAQs,...)

<https://support.industry.siemens.com/cs/ww/en/ps/3RT10263AB00>

Image database (product images, 2D dimension drawings, 3D models, device circuit diagrams, EPLAN macros, ...)

http://www.automation.siemens.com/bilddb/cax_de.aspx?mlfb=3RT10263AB00&lang=en



last modified:

31.03.2016