

BNC F/F BULKHEAD ISOLATED GROUND

SM3420

SPECIFICATIONS

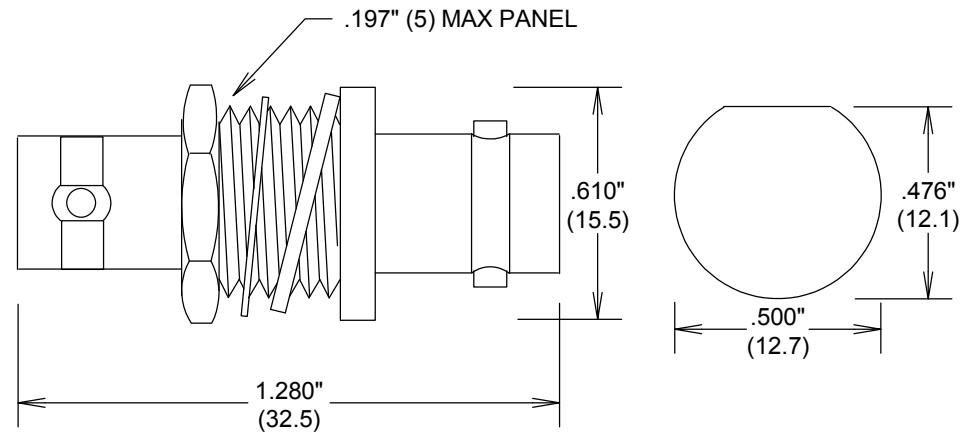
ELECTRICAL

FREQUENCY: 0-4 GHZ
 IMPEDANCE: 50 OHMS
 VSWR: 1.5:1 MAX

MECHANICAL

MATERIALS BODY: NI PLATED BRASS
 CENTER CONTACT: BeCu
 CONTACT PLATING: Au PER MIL-G-45204
 INSULATOR: TEFLON
 INTERFACE: MIL-STD-348

ROHS COMPLIANT



FAIRVIEW MICROWAVE INC.			
ALLEN, TX 75013 WWW.FAIRVIEWMICROWAVE.COM			
TITLE			
BNC F/F BULKHEAD ISOLATED GROUND			
SIZE	CAGE CODE	DWG NO	REV
A	3FKR5	SM3420	--
SCALE		SHEET	

ALL DIMENSIONS IN inches(MM) Typical