

TNC/F-BNC/M 8GHZ PRECISION ADAPTERS

SM3562

SPECIFICATIONS

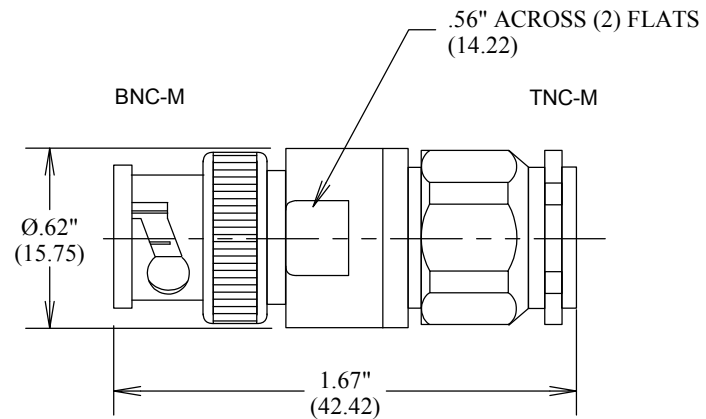
ELECTRICAL

FREQUENCY: 0-8 GHZ
 IMPEDANCE: 50 OHMS
 VSWR: 1.25:1 MAX @ 8GHZ

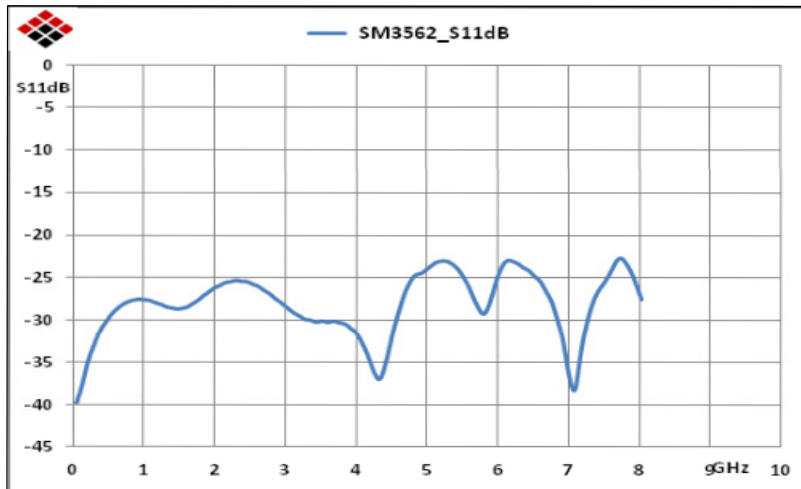
MECHANICAL

MATERIALS TNC BODY : PASS. STAINLESS STEEL
 MATERIAL BNC BODY: NICKEL PLATED BRASS
 CONTACT PLATING: Au PER MIL-G-45204

ROHS COMPLIANT



MEASUREMENT BELOW IS TYPICAL



ALL DIMENSIONS IN inches(MM) Typical				FAIRVIEW MICROWAVE INC. ALLEN, TX 75013 WWW.FAIRVIEWMICROWAVE.COM	
				TITLE TNC/F-BNC/M 8GHZ PRECISION ADAPTERS	
SIZE A	CAGE CODE 3FKR5	DWG NO SM3562	REV A		
SCALE		SHEET			