

We measure it.



**Testo Saveris 2 data logger system**

**Data:**

**Any time. Anywhere.**

# Temperature and humidity monitoring so simple.

All relevant temperature and humidity measurements are precisely recorded by the Saveris 2 Wi-Fi data loggers and transmitted to the testo Cloud by wireless LAN. The measurement values are then securely stored online, and can be called up at any time using a Smartphone, tablet or PC. You can immediately be informed via e-mail or text (optional) alarm if limit values are exceeded.



### Plug & Play

No software to be installed for testo Saveris 2. All you need is an internet connection, wireless LAN and a normal web browser.



### Reliable alarms

An email and/or text message immediately notifies users when alarm thresholds have been exceeded.



### Automatic data transfer

The measurements are automatically transmitted to the testo Cloud by wireless LAN.



### Flexible data access

You can view and evaluate your data from anywhere in the world using an internet capable Smartphone, tablet or PC.



### High data security

Data is securely stored on both the Wi-Fi logger and in the testo Cloud.



### Extensive choice of probes

For many different applications. Testo offers a wide variety of probe solutions.

## Ready to go in just a few steps.



Go to: [www.saveris.net](http://www.saveris.net)



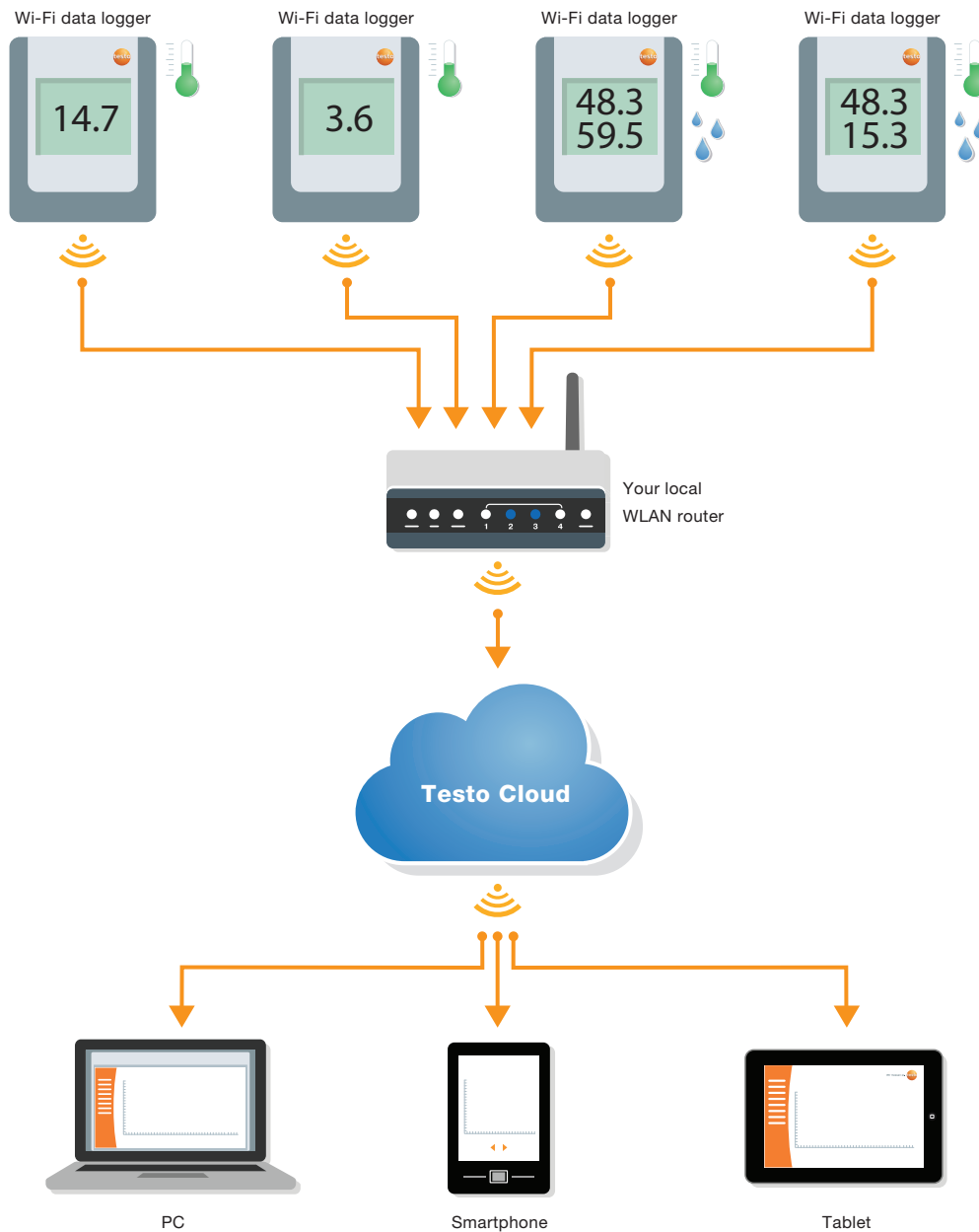
Register or log in.



Done!

# The testo Cloud **license models.**

The testo Saveris 2 Wi-Fi data logger system always includes a free access to the testo Cloud for the secure storage and analysis of all measurement values. Using your internet connected smartphone, tablet or PC, you can access critical data which are transmitted to the testo Cloud, anytime, anywhere.



# Saveris 2 applications



## Pharmaceutical Storage

As a pharmacist, you deal with goods which have a direct effect on the health of your customers. It goes without saying that these may not show any quality deficiencies. For this reason, urgent attention must be paid to the correct storage of the drugs. Excessively high or low temperatures can damage their effectiveness.

## Server Rooms

The ability of a company to properly function fully is heavily dependent on their availability of servers and data. Even short downtimes can critically affect businesses. For this reason, risk factors such as extreme temperatures in a server room must be kept to a minimum. The right temperature must be maintained to minimize risk of server downtime. An automatic temperature monitoring system provides documentation and warnings when temperature thresholds are exceeded.



## Facility Management

In facility management, you have to accomplish a variety of tasks – one of which is guaranteeing the right indoor climate. However, there can be differing requirements regarding temperature and humidity. If the indoor climate in offices is uncomfortable, or if high temperatures hinder production, efficiency is quickly affected. Automated humidity and temperature monitoring helps you identify climatic problems early, allowing you to take action immediately.

## Butcher Shops

On a daily basis, butchers deal with fresh meats and other products which can spoil easily. The observation of temperature conditions is crucial, due to the fact that goods must be of the highest quality. Ensure that certain temperature values are not exceeded, whether during slaughtering, in the processing rooms, freezers, or at the shop counter.

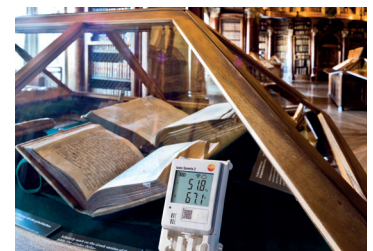


## Supermarkets

Dealing with fresh and easily spoiled goods is a daily routine for food retailers. The quality of products must always be safely monitored, so that inferior goods are not brought into circulation or purchased, which could ruin the trust of customers and reputation.

## Museums

Preserving the exhibits from damage is the primary duty of a museum – especially because of the liability obligation towards the owners or loaned objects. Since many exhibits are extremely climate-sensitive, a suitable air temperature and humidity must be ensured. Not an easy job, when one considers seasonal climate fluctuations or increases in humidity caused by high numbers of visitors. You cannot blindly rely on the correct adjustment of the air conditioning systems.



# The testo Saveris 2 Wi-Fi data loggers.

Precise measurement, wireless transfer and secure data storage.

Testo Saveris 2 Wi-Fi data loggers have integrated sensors for temperature and humidity measurement or external probes which can be connected to meet a wide variety of applications.



## testo Saveris 2-T1 with integrated temperature

Wi-Fi data logger with temperature sensor, incl. USB cable, wall bracket, lock, batteries and calibration protocol

- Measuring range: -40 to 158°F (-40 to +70°C)
- Internal data memory for 10,000 readings
- Dust-proof and wash down protection to IP65
- EN 12830 compliant

Part no. 0572 2001



## testo Saveris 2-H1 with integrated temperature and humidity

Wi-Fi data logger with internal temperature and humidity sensor, incl. USB cable, wall bracket, lock, batteries and calibration protocol

- Measuring range: -22 to 122°F (-30 to +50°C / 0 to 100 %RH)
- Internal data memory for 2 x10,000 readings
- Protection class IP40

Part no. 0572 2004



## testo Saveris 2-T2 with remote temperature probe connections

Wi-Fi data logger with external temperature probe or door contacts inputs, incl. USB cable, wall bracket, lock, batteries and calibration protocol

- Two thermistor (NTC) probe connections
- Measuring range: -58 to 302°F (-50 to +150°C)
- Internal data memory for 2 x10,000 values
- Dust-proof and wash down protection to IP65
- EN 12830 compliant

Part no. 0572 2002



## testo Saveris 2-H2 with remote humidity probe connection

Wi-Fi data logger with external humidity/temperature input, incl. USB cable, wall bracket, lock, batteries and calibration protocol

- Measuring range: -40 to 158°F (-40 to +70°C)
- Humidity range: -22 to 158°F (-30 to +70°C)
- Internal data memory for 2 x10,000 measurement values
- Dust and splash protection according to IP54

Part no. 0572 2005



## testo Saveris 2-T3 with remote thermocouple connections

Wi-Fi data logger with two external TC connections, incl. USB cable, lock, batteries and calibration protocol

- Two connectable thermocouple probe connections
- Measuring range: -319 to 2,462°F (-195 to +1350°C) (pending probe selection)
- Internal data memory for 2 x10,000 values
- Dust and splash protection to IP54

Part no. 0572 2003

# Technical data


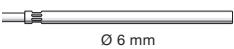

WiFi data loggers	testo Saveris 2-T1	testo Saveris 2-T2	testo Saveris 2-T3			testo Saveris 2-H1	testo Saveris 2-H2
<b>Temperature measurement</b>							
Sensor type	Thermistor (NTC)		TC Type K	TC Type J	TC Type T	Thermistor (NTC)	Measuring range and accuracy depending on probe
Measuring range	-22 to 122 °F (-30 to +50 °C)	-58 to 302 °F (-50 to +150 °C)	-320 to 2,460 °F (-195 to +1350 °C)	-150 to 1,380 °F (-100 to +750 °C)	-325 to 750 °F (-200 to +400 °C)	-22 to 122 °F (-30 to +50 °C)	
Accuracy	±1 °F (±0.5 °C)	±1 °F (±0.5 °C)	±(1 + 0.5 % of m.v.) °F ±(0.5 + 0.5 % of m.v.) °C			±1 °F (±0.5 °C)	
Resolution	0.1°						
<b>Humidity measurement</b>							
Measuring range	-					0 to 100 %RH	Measuring range and accuracy depending on probe
Accuracy	-					±2 %RH	
Resolution	-					0.1 %RH	
<b>Temperature/humidity measurement with external probes</b>							
Connection of external probes	-	External temperature probes	External temperature probes			-	External humidity/temperature probes
Operating temperature	-20 to 125 °F (-30 to +50 °C)						
Storage temperature (incl. batteries)	-40 to 160 °F (-40 to +70 °C)						
Protection class	IP65	IP65	IP54			IP30	IP54
Measuring rate	5 sec to 24 hr						
Communication interval	1 min to 24 hr						
Memory	10,000 measurement values/channel						
Norms / permits	EN 12830	EN 12830	-				
Battery life	24 months at 77 °F (+25 °C) and 15 mins measurement and communication interval at -22 °F (-30 °C) and 15 mins measurement and communication interval with lithium batteries (0515 0572)						
Voltage supply	4 x AA batteries; power unit optional; for temperatures below 14 °F (-10 °C) please use lithium batteries (0515 0572)						
Dimensions	3.74 X 2.95 X 1.20 in (95 x 75 x 30.5 mm)						
Weight (incl. batteries)	0.53 lb (240 g)						
Door contact	no	optional	no				

Subject to change without notice.




# The testo Saveris 2 temperature and humidity probes.

Testo offers a large probe selection to cover a wide variety of applications. Two of the five testo Saveris 2 Wi-Fi data loggers have integrated probes. The other three require one or two external probes from our comprehensive probe selection.



## Temperature probes for testo Saveris 2-T2

Probe type	Dimensions Probe shaft/probe shaft tip	Measuring range	Accuracy	t <sub>99</sub>	Part no.
Stub probe, IP 54	 35 mm Ø 3 mm	-4 to 158 °F (-20 to +70 °C)	±0.36 °F (-4 to 104 °F) ±0.2 °C (-20 to +40 °C) ±0.72 °F (104.18 to 158 °F) ±0.4 °C (+40.1 to +70 °C)	15 s	0628 7510
Stationary probe with aluminium sleeve, IP 65, Fixed cable 2.4 m	 40 mm Ø 6 mm	-22 to 194 °F (-30 to +90 °C)	±0.36 °F (32 to 158 °F) ±0.2 °C (0 to +70 °C) ±0.9 °F (remaining range) ±0.5 °C (remaining range)	190 s	0628 7503
Penetration probe NTC with ribbon cable, cable length 2 m, IP 54, Fixed cable,	 60 mm      30 mm Ø 5 mm      Ø 3.6 mm	-40 to 257 °F (-40 to +125 °C)	±0.5 % of m.v. (212 to +257 °F) ±0.5 % of m.v. (+100 to +125 °C) ±0.36 °F (-13 to 176 °F) ±0.2 °C (-25 to +80 °C) ±0.72 °F (remaining range) ±0.4 °C (remaining range)	8 s	0572 1001

## Temperature probes for testo Saveris 2-T3

Probe type	Dimensions Probe shaft/probe shaft tip	Measuring range	Accuracy	t <sub>99</sub>	Part no.
Stationary probe with stainless steel sleeve, TC Type K	 40 mm Ø 6 mm Connection: Fixed cable 1.9 m	-58 to 401 °F (-50 to +205 °C)	Class 2*	20 s	0628 7533
Penetration probe TC with ribbon cable, Type K, cable length 2 m, IP 54	 60 mm      30 mm Ø 5 mm      Ø 3.6 mm	-58 to 401 °F (-50 to +205 °C)	Class 1	7 s	0572 9001
Magnetic probe, adhesive force approx. 10 N, TC Type K	 75 mm Ø 21 mm Connection: Fixed cable 1.6 m	-58 to 1386 °F (-50 to +752 °C)	Class 2*		0602 4892

## Humidity/temperature probes for testo Saveris 2-H2

Probe type	Dimensions Probe shaft/probe shaft tip	Measuring range	Accuracy	Part no.
Humidity/temperature probe 12 mm		-4 to 158 °F (-20 to +70 °C) 0 to 100 %RH	±0.54 °F (±0.3 °C) ±2 %RH at +77 °F (2 to 98 %RH) ±2 %RH at +25 °C (2 to 98 %RH) ±0.03 %RH/K ± 1 digit	0572 6172
External humidity / temperature probe 12 mm, plug-in, without cable	 16 mm Ø 12 mm	-22 to 122 °F (-30 to +50 °C) 0 to 100 %RH	±0.9 °F (±0.5 °C) ±2 %RH	0572 2151

## Other Measuring Solutions from Testo

Testo offers a complete line of handheld test and measurement instruments for temperature, humidity, pressure, velocity, thermal imaging, combustion and more. Each is backed by the best warranties in the industry, expert technical support and ISO/ NIST calibration services.



### Portable Multifunction Instruments

- A large selection of probe options for a multitude of applications
- Large capacity memory for thousands of measured values
- Analyze and report data with convenient PC software



### Saveris Monitoring/ Alarming System

- Wireless and/ or Ethernet communications
- PC, server or network installations
- Supported with a large selection of probes to handle a multitude of applications



### Data Loggers

- With 19 different models, Testo loggers cover many different applications, including monitoring transport shipments
- Rugged enough to stand up to any environment
- Multiple probe options



### Transmitters

- From economy versions for HVAC through feature rich industrial performance, Testo provides a best fit solution for your humidity/ moisture, pressure and temperature control requirements.