

Automatic Levels

ZAL200 Series



PROFESSIONAL RESULTS

- 20 x / 24 x / 32 x magnification
- 360° graduation
- Up to 1.9 mm accuracy



CONSTRUCTION BUILT TOOLS

- Solid-built design
- IP56 protection
- Simple operation



COVERING EVERY NEED

- Full range of accessories
- Shield Total Care
- International service



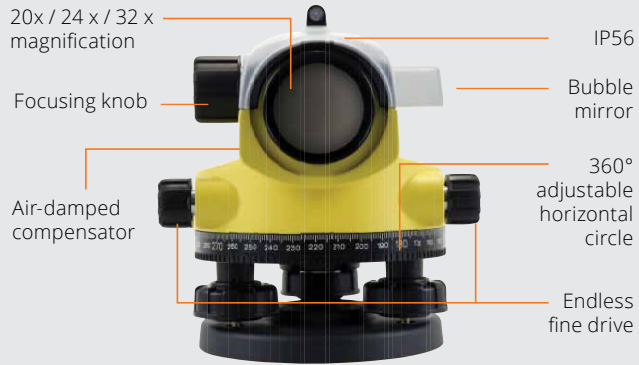
ZAL200

ZAL200 Series

Intensify your performance and get error-free results at the best price-to-performance ratio.

The new GeoMax ZAL200 series are dependable and durable tools specifically designed for construction professionals.

With three different types of magnification, a new ergonomic and solid-built design, and full range of accessories and services, the GeoMax automatic levels provide great quality at affordable value.



	ZAL220	ZAL224	ZAL232
ACCURACY*	2.5 mm	2.0 mm	1.9 mm
TELESCOPE			
Image	Erect	Erect	Erect
Magnification	20 x	24 x	32 x
Field of view	< 2.1 m at 100 m	< 2.1 m at 100 m	< 2.1 m at 100 m
Shortest target distance from instrument axis	< 1.0 m	< 1.0 m	< 1.0 m

COMPENSATOR

Working range	± 15'
Setting accuracy**	0.5"

DISTANCE MEASUREMENT

Multiplication factor	100
Additive constant	0

CIRCULAR LEVEL

Sensitivity	8/2 mm
-------------	--------

CIRCLE

Graduation	360°
Graduation interval	1°

ADAPTATION

Central fixing screw***	5/8"
-------------------------	------

* Standard deviation for 1 km double levelling ISO17123-2

** Standard deviation

*** To normal or ball head tripod

ENVIRONMENTAL

Operating temperature	-20°C to +50°C (-4°F to +122°F)
Protection	IP56



EXPERTISE AT YOUR SERVICE

We care for your work and want your GeoMax tools to stay operational for as long as you work*. Our highly skilled service centres support you around the world for the lifetime of your product.

COVER-ALL WARRANTY

The new GeoMax ZAL200 Series comes with a cover-all warranty for one year, protecting the tool from all defects that could occur during regular use, keeping you fully operational at all times and limiting downtime to the minimum.

Free of charge services during the warranty period:

- Repair (parts and labour) or exchange of your level
- Full functional and safety check

* The warranty does not cover damage caused by abuse or mishandling.



0316 - 846386 en
Copyright GeoMax AG.
Illustrations, descriptions and technical specifications are not binding and may change. All trademarks and trade names are those of their respective owners.



At GeoMax, we provide a comprehensive portfolio of integrated solutions by developing, manufacturing and distributing quality construction and surveying instruments and software.

Our products are known for robustness, ease of use and outstanding price-to-performance ratio. From our base in Europe, our technology is supported by a broad sales and service network covering all continents and more than 100 branches.

www.geomax-positioning.com



GEOMAX AUTHORISED DISTRIBUTION PARTNER

Works when you do