

◆ PRECISION INSTRUMENTS FOR TEST AND MEASUREMENT ◆

KVD-700 SERIES

KELVIN-VARLEY VOLTAGE DIVIDER

Operation Manual



Copyright © 2007 IET Labs, Inc.

Effectivity: Serial Numbers prefixed G
KVD-700im/08-07



IET LABS, INC.

534 Main Street, Westbury, NY 11590

www.ietlabs.com

TEL: (516) 334-5959 • (800) 899-8438 • FAX: (516) 334-5988

◆ PRECISION INSTRUMENTS FOR TEST AND MEASUREMENT ◆



IET LABS, INC.

534 Main Street, Westbury, NY 11590

www.ietlabs.com

TEL: (516) 334-5959 • (800) 899-8438 • FAX: (516) 334-5988

WARRANTY

We warrant that this product is free from defects in material and workmanship and, when properly used, will perform in accordance with applicable IET specifications. If within one year after original shipment, it is found not to meet this standard, it will be repaired or, at the option of IET, replaced at no charge when returned to IET. Changes in this product not approved by IET or application of voltages or currents greater than those allowed by the specifications shall void this warranty. IET shall not be liable for any indirect, special, or consequential damages, even if notice has been given to the possibility of such damages.

THIS WARRANTY IS IN LIEU OF ALL OTHER WARRANTIES, EXPRESSED OR IMPLIED, INCLUDING BUT NOT LIMITED TO, ANY IMPLIED WARRANTY OF MERCHANTABILITY OR FITNESS FOR ANY PARTICULAR PURPOSE.



WARNING



OBSERVE ALL SAFETY RULES
WHEN WORKING WITH HIGH VOLTAGES OR LINE VOLTAGES.

**Dangerous voltages may be present inside this instrument. Do not open the case
Refer servicing to qualified personnel**

HIGH VOLTAGES MAY BE PRESENT AT THE TERMINALS OF THIS INSTRUMENT

WHENEVER HAZARDOUS VOLTAGES (> 45 V) ARE USED, TAKE ALL MEASURES TO
AVOID ACCIDENTAL CONTACT WITH ANY LIVE COMPONENTS.

USE MAXIMUM INSULATION AND MINIMIZE THE USE OF BARE
CONDUCTORS WHEN USING THIS INSTRUMENT.

Use extreme caution when working with bare conductors or bus bars.

WHEN WORKING WITH HIGH VOLTAGES, POST WARNING SIGNS AND
KEEP UNREQUIRED PERSONNEL SAFELY AWAY.



CAUTION



DO NOT APPLY ANY VOLTAGES OR CURRENTS TO THE TERMINALS OF THIS
INSTRUMENT IN EXCESS OF THE MAXIMUM LIMITS INDICATED ON
THE FRONT PANEL OR THE OPERATING GUIDE LABEL.

Contents

| | |
|--|-----------|
| WARRANTY | iii |
| WARNING | v |
| CAUTION..... | v |
| Chapter 1 | |
| INTRODUCTION | 1 |
| 1.1 General Description | 1 |
| 1.2 Circuit Description | 2 |
| 1.2.1 Model | 2 |
| 1.2.2 Theory of Operation | 2 |
| Chapter 2 | |
| SPECIFICATIONS | 5 |
| Chapter 3 | |
| INSTALLATION | 7 |
| 3.1 Initial Inspection | 7 |
| 3.2 Installation | 7 |
| 3.3 Repackaging for Shipment | 7 |
| 3.4 Storage | 7 |
| Chapter 4 | |
| OPERATION | 8 |
| 4.1 Initial Inspection and Setup | 8 |
| 4.2 Power Considerations | 8 |
| 4.3 Loading Errors | 8 |
| 4.4 Switch Conditioning | 9 |
| 4.5 Operation and Controls | 9 |
| 4.6 Representative Bridge Applications of the KVD-700 | 10 |
| Chapter 5 | |
| SELF-CALIBRATION | 11 |
| 5.1 Introduction | 11 |
| 5.2 End Errors | 11 |
| 5.3 Self-Calibration Setup | 13 |
| 5.4 Self-Calibration Procedure | 13 |
| 5.4.1 First Decade | 13 |
| 5.4.2 Second Decade | 14 |
| 5.4.3 Shunt Resistors | 14 |
| Chapter 6 | |
| VERIFICATION, CALIBRATION AND MAINTENANCE | 15 |
| 6.1 Preventive Maintenance | 15 |
| 6.2 Overview of Verification of Performance and Calibration .. | 15 |
| 6.3 Required Test Equipment | 15 |
| 6.4 Verification of Leakage Resistance | 15 |
| 6.5 Verification of Absolute Linearity of First Decade | 16 |
| 6.6 Verification of Decades (B through G) Linearity | 19 |

| | |
|--|-----------|
| 6.6.1 Decade B | 19 |
| 6.6.2 Decade C | 21 |
| 6.6.3 Decade D | 21 |
| 6.6.4 Decade E | 22 |
| 6.6.5 Decade F | 22 |
| 6.6.6 Decade G | 22 |
| 6.7 Calibration | 23 |
| 6.7.1 Calibration of C Decade | 23 |
| 6.8 Bridge Calibration | 24 |
| 6.8.1 Bridge C Arm Calibration | 24 |
| 6.8.2 Bridge A-B Arm Calibration | 24 |
| 6.9 Parts Diagrams and Schematic | 24 |
| Appendix A | |
| BIBLIOGRAPHY | 28 |

Figures

| | |
|--|----|
| Figure 1.1. Model KVD-700 Kelvin-Varley Voltage Divider | 1 |
| Figure 1.2. Digital Potentiometer Model for a Kelvin-Varley Voltage Divider | 2 |
| Figure 1.3. Thevenin Equivalent Circuit of a Kelvin-Varley Voltage Divider | 2 |
| Figure 1.4. Approximate Value of Output Resistance as a Function of Dial Setting (S) | 3 |
| Figure 1.5. Schematic Diagram of KVD-700 Kelvin-Varley Voltage Divider Circuit | 4 |
| Figure 2.1. Typical OPERATING GUIDE Affixed to Unit | 6 |
| Figure 4.1. Front Panel of KVD-700 | 9 |
| Figure 5.2. Setup Diagram for Measurement of Zero End Correction Relative to Output Common | 12 |
| Figure 5.3. Setup Diagram for Measurement of Full Scale Correction | 12 |
| Figure 5.1. Setup Diagram for Measurement of Zero End Correction Relative to Input Common | 12 |
| Figure 5.4. Setup for Self-Calibration | 13 |
| Figure 6.2. Setup for Leakage Resistance Test | 16 |
| Figure 6.1 Required Equipment for Verification | 16 |
| Figure 6.3. Conceptual Representation of Linearity Verification Test | 17 |
| Figure 6.4. Setup for Linearity Verification Test for First Decade | 18 |
| Figure 6.5. Setup for Linearity Verification Test for Decades B through G | 20 |
| Figure 6.6. Bottom View of Calibration Board and Location of C Decade Trimmers (Legend is printed on opposite side of board; is shown here for clarity) | 25 |
| Figure 6.7. Layout of Internal Bridge Calibration Board and Location of Trimmers | 25 |
| Figure 6.9. Parts Location: Top View of Unit | 26 |
| Figure 6.8. Parts Location: Front Panel | 26 |
| Figure 6.10. Parts Location: Calibration PC Board | 27 |

Chapter 1

INTRODUCTION

1.1 General Description

The KVD-700 (Figure 1.1) is a calibration grade voltage divider employing the Kelvin-Varley circuit. It is a highly accurate, stable, and linear primary ratio standard suitable for use in many applications requiring known voltage or current ratios. In particular, the KVD-700 is especially appropriate for use in bridge circuits, providing two legs of a bridge with a very well known ratio.

The KVD-700 has a resolution of 0.1 ppm and an absolute linearity of 0.1 ppm. It has a **1.0** input and a **1.1** input to allow over-ranging. Temperature coefficient of linearity is 0.1 ppm/°C, and power coefficient of linearity is 0.2 ppm/W.

The KVD-700 incorporates a number of advanced features making for convenience and high performance. These include: self-calibration capability; state of the art nominally “zero tempco bulk metal foil resistors”; Kel-F mounted low-emf tellurium copper binding posts; sealed internal calibration potentiometers; and a convenient operating guide attached to the unit.

The KVD-700 features a built-in Wheatstone bridge self-calibration circuit so that the unit may be calibrated with a minimum of external instruments and without requiring another voltage divider.

The KVD-700 employs precision resistors which have been aged, temperature and power cycled to maximize long-term stability, and matched to minimize temperature and power coefficient effects. The most significant decade is sealed in an oil bath to minimize temperature coefficient effects.

08-07

The switches used have gold plated solid silver alloy contacts for long life, minimum contact resistance, and no tarnishing. Gold also allows the use with low level signals. The switches have multiple wiper contacts to provide stable low contact resistance. The main switches are sealed.

High quality gold plated tellurium-copper binding posts serve to minimize the thermal emf effects which would artificially reflect a change in dc resistance measurements. They are mounted to the case on special Kel-F washers to insure low leakage. All other conductors within the instrument, as well as the solder employed, contain no metals or junctions that could contribute to thermal emf problems.

The front panel is clearly labelled showing step size for each decade. Maximum voltage and current limits are indicated as well. The unit may be mounted in a standard 19-inch rack.

Applications include linearity determination, the measurement of voltage and resistance, and the calibration of other dividers, potentiometers or similar devices involving both voltage and current.



Figure 1.1. Model KVD-700 Kelvin-Varley Voltage Divider

1.2 Circuit Description

1.2.1 Model

A Kelvin-Varley voltage divider may be thought of as being equivalent to a digital potentiometer, except that it has an additional, but variable resistance in series with the wiper arm. Such a circuit model of the KVD-700 may be seen in Figure 1.2. In the case of the KVD-700, the resistance between the input terminals 1 and LOW is 100 k Ω .

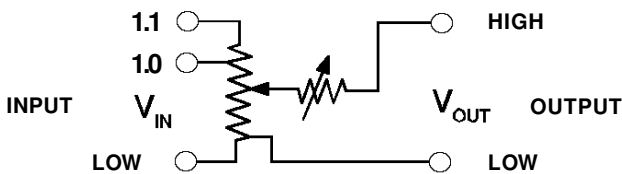


Figure 1.2. Digital Potentiometer Model for a Kelvin-Varley Voltage Divider

An actual digital potentiometer uses decades of resistor steps each decreasing by factor of ten. The problem with such a digital potentiometer, however, is that its resolution becomes limited by the value of ever smaller resistors. They become difficult to implement as the contact resistance of switches and connections become significant. A Kelvin-Varley circuit overcomes this problem with its special design, described later.

Another way to model the KVD-700 is with the Thevenin equivalent circuit shown in Figure 1.3, where S is the dial setting. Note that if the output is being fed into a very high impedance, then the output impedance R_o , may be ignored. In general, however, the effect of load impedance, R_L must be taken into consideration, as will be discussed below. The approximate value of R_o is shown in Figure 1.4. It may

be seen that the output impedance is maximum at about the dial setting of 0.5 and drops to zero at both ends, 1.0 and 0. It is the value of R_o which will influence the effect of loading.

Note, however, that in general bridge applications, nominally zero current flows out of the divider as the bridge comes into balance, and therefore the divider effectively “sees” an infinite impedance, and the effect due to R_o may be safely ignored.

1.2.2 Theory of Operation

The actual circuit diagram of the KVD-700 is shown in Figure 1.5. This circuit is capable of dividing the input into 10^7 parts, i.e. 0.1 ppm. It consists of seven decades, each of which divides its input voltage into 10 equal parts.

The implementation of this division may be seen as follows: The input voltage across each decade is divided by 10 equal resistances. Placing the resistance of the succeeding decade in parallel with a portion of the upstream decade reduces the effective resistance of that portion. In particular, examine the figure and note that first decade has 11 - not 10 - resistors (ignoring the 1.1 input resistor). The divider wipers from the second decade encompass two resistors totaling 20 k Ω . This 20 k Ω is shunted by 20 k Ω , the effective total resistance of the second decade with all the shunting in parallel with it, resulting in a total effective resistance of 10 k Ω for that step.

The 11 steps become equivalent to 10 steps of 10 k Ω each, and in this way all the steps are kept equal.

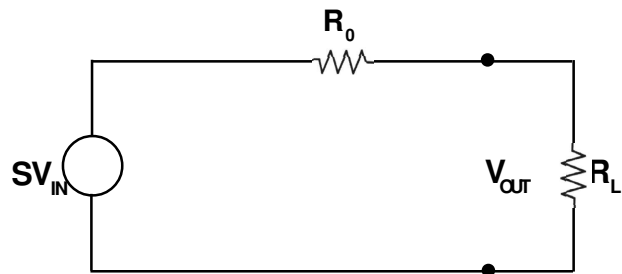
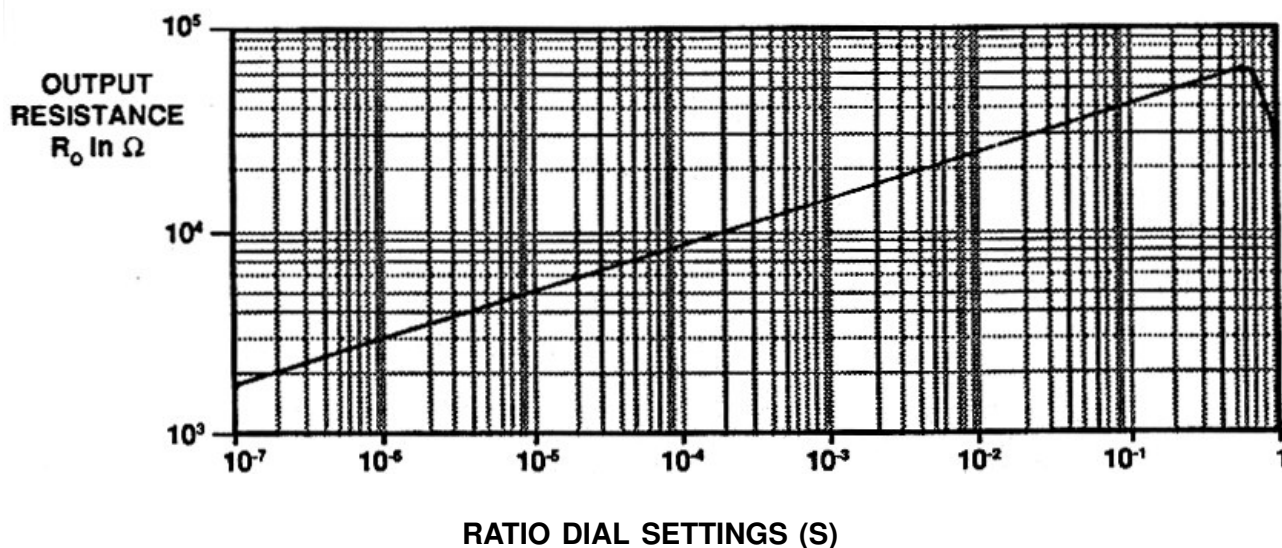


Figure 1.3. Thevenin Equivalent Circuit of a Kelvin-Varley Voltage Divider



Note: The value of the output resistance is a "smoothed" approximation. The actual resistance "oscillates" around this value as lower decades are varied.

Figure 1.4. Approximate Value of Output Resistance as a Function of Dial Setting (S)

Each step of the second decade is also 10 k Ω . The 20 k Ω of that decade, spanned by the switch contacts, are shunted by the 20 k Ω effective resistance of the third decade. Similarly 8 k Ω of the third decade are shunted by the 8 k Ω total resistance of the fourth decade.

Note that this pattern reduces the resistor value until an optimal value of 1 k Ω is reached and repeated. This allows the use of a resistance high enough to avoid contact resistance problems.

Note that the last decade uses only one switch wiper and can therefore span positions 0-10. With all significant decades set to 9, and the last one set to 10, the output is 1.0 or equal to the input.

At the low or zero end, a small series resistance is added between the **OUTPUT LOW** terminal, the lower end of the divider string, and the **INPUT LOW** terminal to compensate for contact and wiring resistance, thus bringing the voltage at the **OUTPUT LOW** terminal equal to the voltage at the **OUTPUT HIGH** terminal for all switches set to 0. This provides improved performance for low voltage outputs.

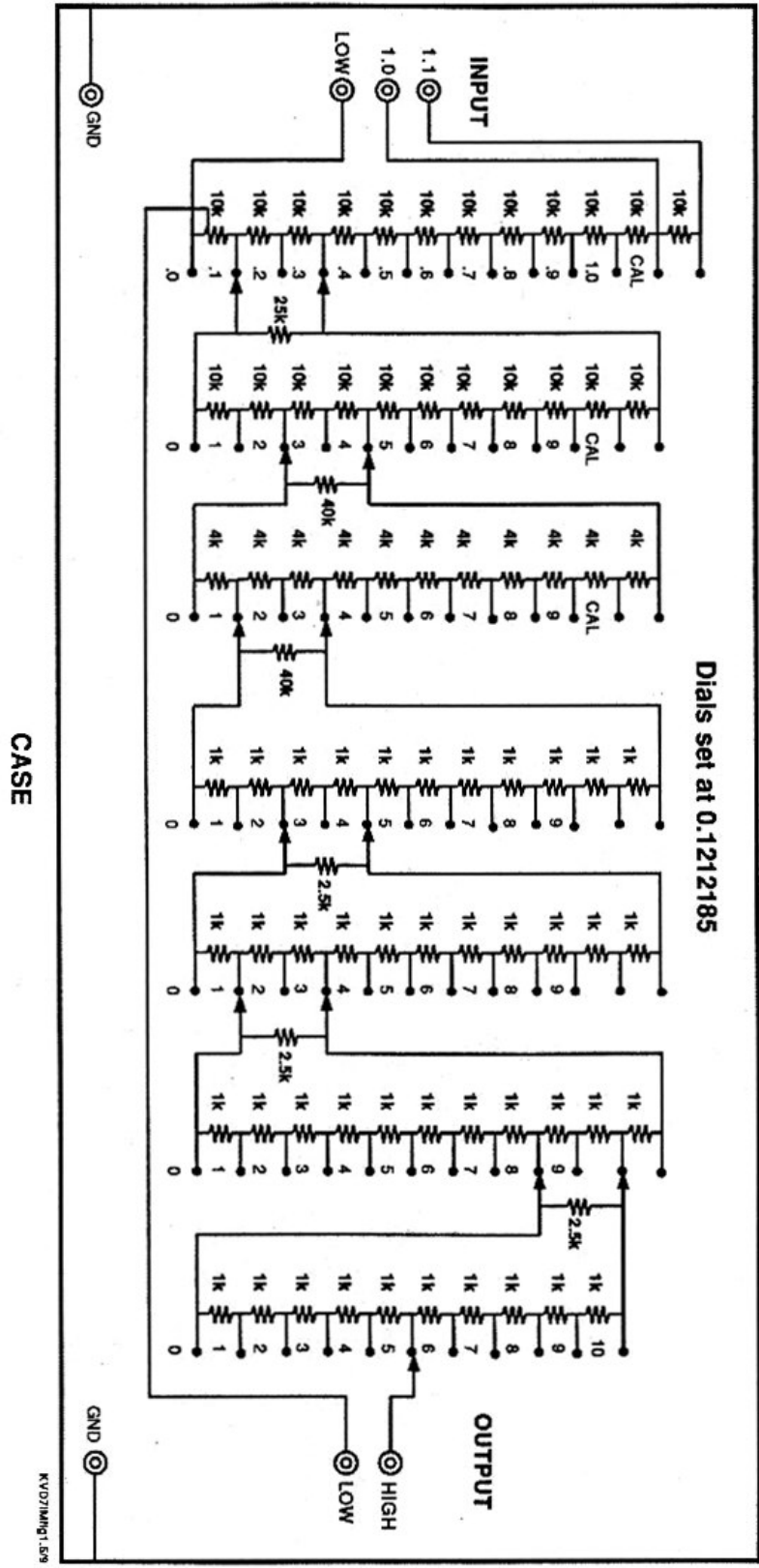


Figure 1.5. Schematic Diagram of KVD-700 Kelvin-Varley Voltage Divider Circuit

Chapter 2

SPECIFICATIONS

For convenience to the user, the pertinent specifications are given in an **OPERATING GUIDE**, typically shown in Figure 2.1, affixed to the case of the instrument.

Ratio Range:

0 to 1.0 of input at **1.0 INPUT**; 0 to 1.1 at **1.1 INPUT**.

Resolution:

0.1 ppm with 7 decades.

Absolute Linearity:

At 23°C, at low power; defined relative to zero and full scale outputs, at the output terminals. Quantitatively it is $[V_{out}/V_{in}] - S$, where S is the dial setting.

± 0.1 ppm for $S = 0.1$ to 1.1 .

$\pm 0.1 (10S)^{1/3}$ ppm for $S = 0$ to 0.1 .

Short Term Linearity Stability:

When maintained under standard laboratory conditions of $\pm 1^\circ\text{C}$ and applied voltage of < 100 V, linearity shall have a stability of ± 0.01 ppm per day, and ± 0.1 ppm per month.

Long Term Linearity Stability:

± 1.0 ppm/year for $S = 0.1$ to 1.1 .

$\pm 1.0(10S)^{2/3}$ ppm/year for $S = 0$ to 0.1 .

Self-calibration restores linearity to 0.1 ppm.

Temperature Coefficient of Linearity:

± 0.1 ppm/ $^\circ\text{C}$ for $S = 0.1$ to 1.1 .

$\pm 0.1(10S)^{2/3}$ ppm/ $^\circ\text{C}$ for $S = 0$ to 0.1 .

Power Coefficient of Linearity:

± 0.2 ppm/W for $S = 0.1$ to 1.1 .

$\pm 0.2(10S)^2$ ppm/ Ω for $S = 0$ to 0.1 .

Maximum Input Voltage:

1000 V at **1.0 INPUT**; 1100 V at **1.1 INPUT**.

Maximum Output Current:

11 mA.

Breakdown Voltage:

2500 V to case at sea level; 2000 V to case at 10,000 feet above sea level.

Input Resistance:

100 k Ω ± 50 ppm at **1.0 INPUT**; 110 k Ω ± 50 ppm at **1.1 INPUT**.

Temperature Coefficient of Input Resistance:
 ± 1.0 ppm/ $^\circ\text{C}$.

Maximum Input Power:

10 W at **1.0 INPUT**; 11 W at **1.1 INPUT**.

Maximum Output Resistance:

66 k Ω , determined by shorting across the input and measuring the resistance across the output terminals. See Figure 1.4.

Thermal Voltages:

< 0.5 μV at the output terminals.

End Errors:

Zero error at **OUTPUT LOW** terminal $< \pm 0.004$ ppm of input;

Zero error at **INPUT LOW** terminal $< \pm 0.05$ ppm of input;

Full scale error at **OUTPUT HIGH** terminal $< \pm 0.05$ ppm of input.

Terminals:

High-quality low-thermal-emf, gold-plated, tellurium-copper binding posts; standard 0.75" spacing; additional binding posts are connected to the case for shielding. Terminals are insulated from the case by non-moisture-absorbing Kel-F spacers.

Operating Conditions:

0°C to 50°C ; 35% RH to 55% RH; for operating conditions below 15°C and above 35°C , linearity must be derated 0.1 ppm/ $^\circ\text{C}$ from the temperature of calibration.

Storage Temperature:

-34°C to 70°C .

Dimensions:

5.25" high 19" rack panel;

Panel: 48.3 cm W x 13.2 cm H (19.0" x 5.20")

Behind panel: 42.7 cm W x 12.4 cm H x 31.5 cm

D (16.8" x 5.2" x 12.4");

In front of panel 3.8 cm (1.5").

Weight:

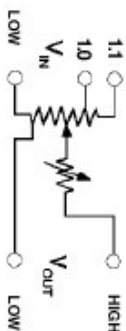
8 kg (18 lb)

KVD-700 KELVIN-VARLEY VOLTAGE DIVIDER OPERATING GUIDE

CONSULT INSTRUCTION MANUAL FOR PROPER INSTRUMENT OPERATION

DESCRIPTION:

Decade voltage divider employing the Kelvin-Varley circuit, providing known voltage and current ratios for calibration, bridges, linearity determination, and other applications. Note: A Kelvin-Varley divider is not the exact equivalent of a potentiometer, but has an additional variable resistance in series with the wiper, ranging between zero and about 86 k Ω .



ABSOLUTE LINEARITY:

Linearity deviation, the error between the actual output voltage (V_{out}) and the ideal output voltage for a particular setting, (S):

$$\text{Linearity Deviation} = [V_{in} - V_{out}] - S \left[\pm 0.1 \text{ ppm of input for } S=0.1 \text{ to } 1.1 \right. \\ \left. \pm 0.1 (10S) \text{ ppm of input for } S=0 \text{ to } 0.1 \right]$$

<0.1 ppm of input at dial setting of 0.1 to 1.1

NSN: 6625-00-445-3329

RATIO RANGE:

0 to 1.0 of input for 1.0 terminal;
0 to 1.1 of input for 1.1 terminal.

INPUT RESISTANCE:

100 k Ω \pm 50 ppm at 1.0 INPUT;
110 k Ω \pm 50 ppm at 1.1 INPUT; <1 ppm/ $^{\circ}$ C TC.

RESOLUTION:

0.1 ppm with 7 decades.

MAXIMUM INPUT POWER:

10 W at 1.0 INPUT; 11 W at 1.1 INPUT.

SHORT-TERM LINEARITY STABILITY:

0.1 ppm/30 days under standard laboratory conditions and $V_{in} < 100V$.

THERMAL VOLTAGE:

< 0.5 μ V.

LONG-TERM LINEARITY STABILITY:

\pm 1.0 ppm of input/year for S=0.1 to 1.1.
 \pm (10S) ppm of input/year for S=0 to 0.1.
Self calibration restores linearity to 0.1 ppm.

END ERRORS:

Zero error at OUTPUT LOW terminal < \pm 0.004 ppm of input.
Zero error at INPUT LOW terminal < \pm 0.05 ppm of input.
Full scale error at OUTPUT HIGH terminal < \pm 0.05 ppm of input.

TEMPERATURE COEFFICIENT OF LINEARITY:

< \pm 0.05 (10S) ppm/ $^{\circ}$ C for S=0.1 to 1.1.
< \pm 0.05 (10S) ppm/ $^{\circ}$ C for S=0 to 0.1.

GND TERMINALS:

Connected to case.

POWER COEFFICIENT OF LINEARITY:

\pm 0.2 ppm of input/W max. for S=1.1 to 0.1.
 \pm 0.2 (10S) ppm of input/W max. for S=0.1 to 0.

MAXIMUM OUTPUT CURRENT:

11 mA.

TEST CONDITIONS:

23 $^{\circ}$ C at low power.

SWITCH OPERATION:

Whenever the unit has been idle, turn each switch 7-10 times both ways before using. This switch "break-in" procedure is standard metrology practice required for best accuracy to remove any oxide film on the contact surfaces, typically <1 nm.

BREAKDOWN VOLTAGE:

2500 V at sea level.

WARNING

Observe all safety rules when working with high voltages. Connect the (GND) terminal to earth ground in order to maintain the case at a safe voltage. Whenever hazardous voltages (>45 V) are used, take all measures to avoid accidental contact with any live components. a) Use insulation protection and minimize the use of bare conductors; b) remove power when adjusting switches; c) post warning signs and keep personnel safety away.



IET LABS, INC. 534 Main Street, Westbury, NY 11590 • (516) 334-5959 • (800) 899-8438 • Fax (516) 334-5988
CAGE CODE: 62015 www.ietlabs.com



MODEL: KVD-700

SN: 02-0731081

Figure 2.1. Typical OPERATING GUIDE Affixed to Unit

Chapter 3

INSTALLATION

3.1 Initial Inspection

IET instruments receive a careful mechanical and electrical inspection before shipment. Upon receipt, verify that the contents are intact and as ordered. The instrument should then be given a visual and operational inspection.

If any shipping damage is found, contact the carrier and IET Labs. If any operational problems are encountered, contact IET Labs and refer to the warranty at the beginning of this manual.

Save all original packing material for convenience in case shipping of the instrument should become necessary.

3.2 Installation

For a rack mounted model, installation on a 19 inch rack may be made using the slots in the rack mounting ears. A mounting location that does not expose the unit to excessive heat or temperature variations is recommended.

For bench models, no installation as such is required, because this instrument series is not powered. Since the KVD-700 is a high accuracy instrument, it is recommended that a bench space be provided that would not expose it to abuse and keep it protected from temperature extremes and contaminants.

3.3 Repackaging for Shipment

If the instrument is to be returned to IET Labs, contact the Service Department at the number or address, shown on the front cover of this manual, to obtain a “Returned Material Authorization” (RMA) number and any special shipping instructions or assistance. Proceed as follows:

1. Attach a tag to the instrument identifying the owner and indicate the service or repair to be accomplished. Include the model number, the full serial number of the instrument, the RMA number, and shipping address.
2. Wrap the instrument in heavy paper or plastic.
3. Protect the front panel and any other protrusions with cardboard or foam padding.
4. Place instrument in original container or equally substantial heavy carton.
5. Use packing material around all sides of instrument.
6. Seal box with strong tape or strapping.
7. Mark shipping container “DELICATE INSTRUMENT,” “FRAGILE,” etc.

3.4 Storage

If this instrument is to be stored for any lengthy period of time, it should be sealed in plastic and stored in a dry location. It should not be subjected to temperature extremes. Extended exposure to such temperatures can result in an irreversible change in resistance, and require recalibration.

Chapter 4

OPERATION

4.1 Initial Inspection and Setup

This instrument was carefully inspected before shipment. It should be in proper electrical and mechanical order upon receipt.

An **OPERATING GUIDE**, like the typical one shown in Figure 2.1, is attached to the case of the instrument to provide ready reference to specifications.

4.2 Power Considerations

It is possible to damage the KVD-700 by applying too great a voltage to the input terminals or drawing more than 11 mA from the output terminals.

The input or output must therefore be limited in some fashion. A power supply with current limiting may be used, or current limiting in the form of a resistor or an 11 mA fuse may be inserted in series with the input and/or output.

Whenever significant power is applied to the KVD-700, it should be allowed to stabilize for a few minutes as settings are changed. As may be seen from figure 1.5, if 10 W were applied across the most significant decade resistor string, 1 W would be dissipated across each 10 kW resistor, but only 0.25 W would be dissipated across the two resistors shunted between the wiper arms. This causes differential heating, and the drift must be allowed to stabilize. The oil bath in which the most significant decade is contained serves to more evenly distribute the temperature variation. After the application of high power,

the unit should be allowed to cool for a few hours before the application of low power.

4.3 Loading Errors

As may be seen from Figure 1.3, the output voltage of an unloaded Kelvin-Varley divider is given by:

$$V_{\text{OUT}} = S V_{\text{IN}} + \text{DEV}$$

where DEV is the fractional linearity deviation. When a load is applied, the output becomes:

$$V_{\text{OUT}} = S V_{\text{IN}} + \text{DEV} - R_o/R_L$$

where R_o is the output resistance which may be determined by shorting the input leads and measuring across the output leads, or can be approximated by using Figure 1.4. R_o ranges from zero to about 66 k Ω . R_L is the load resistance applied at the output.

It may be seen that it is the relative size of the term R_o/R_L to the linearity deviation that determines the importance of the loading error. In particular, for the KVD-700, R_L must be greater than 1 T Ω , i.e. 10^{12} , for the loading effect to be <.03 ppm for the maximum R_o . It will be smaller for lower output resistances at other settings.

Note that even meters having virtually “open circuit” input impedance, e.g. 10 G Ω , will still have an effect on linearity of up to many ppm’s, depending on setting S.

A bridge circuit under balanced conditions will effec-

tively draw no current from the KVD-700 and approach a true open circuit.

4.4 Switch Conditioning

The main switch wipers employed in this unit are self-cleaning, and are constructed of solid silver alloy with solid silver alloy contacts. Whenever left idle, all the wipers and contacts should still be conditioned or “rebroke in” to remove any oxide that develops over time. This is standard metrology practice when high accuracy is required. This effect is of the order of less than 1 mΩ, so it may be ignored whenever measurements of that magnitude are not important.

To perform this “breaking in,” simply rotate each switch seven to ten times in each direction.

4.5 Operation and Controls

Figure 4.1 shows the front panel and the various controls and connection terminals of the KVD-700 divider.

In normal operation, place the **MODE** switch in the **NORM** position. The other positions are for the various calibration steps described later.

The input voltage is usually connected to the **1.0 INPUT** or if required to the **1.1 INPUT**. The latter is used whenever an “overrange” output greater than

100% of a nominal value is required. Secure connections should be made to the terminals using spade lugs, banana jacks, or bare wire. Caution should be exercised since most often such connectors are usually made of brass which can add thermal emf. Copper or copper alloy connections should be used, or bare wire which is tinned copper may be employed. Similar connections are made to the **OUTPUT** terminals.

Implement any current limiting protection as described in the power considerations discussion of section 4.2. Observe all safety precautions if high voltages are used.

The dials may be set and read directly on the front panel. Some decades have a CAL and blank positions to be used only in the calibration mode. The least significant decade has a **10** setting which can be used to provide an output of 1.0, i.e. 100% of the input.

If the KVD-700 is to be used at a temperature considerably different from its latest calibration temperature or if an extended period of time has passed since its latest calibration, a self calibration should be performed as described in the Chapter 5.

End errors should be considered in any application. Either the specified values should be used or the end errors may be measured as described in the Verification, Calibration and Maintenance section below.

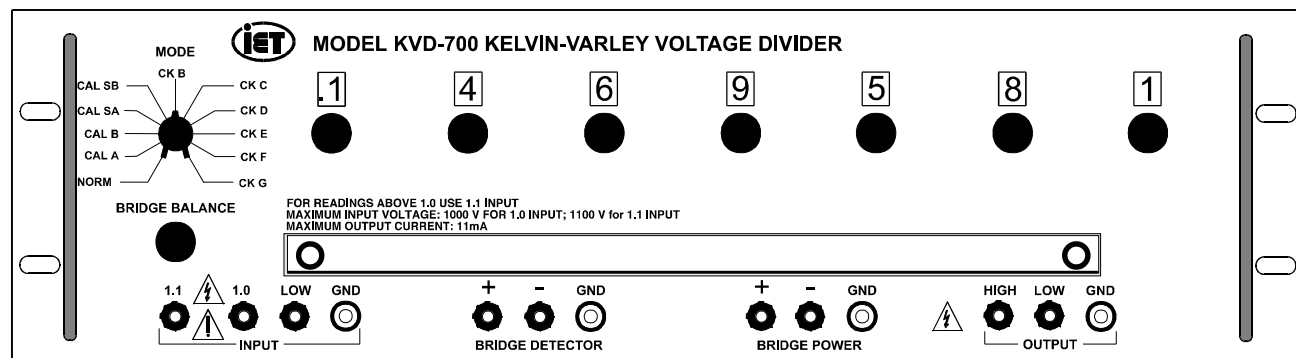


Figure 4.1. Front Panel of KVD-700

4.6 Representative Bridge Applications of the KVD-700

There is a broad spectrum of applications for a Kelvin-Varley divider, such as calibrating other voltage dividers, measuring unknown voltages, and measuring unknown resistances. There are a number of sources

for detailed information on these -common and many other applications. Some are given in Appendix A. One application, the calibration of a voltage divider is essentially described in the following chapter on calibrating the KVD-700.

Consult IET Labs for additional references and information.

Chapter 5

SELF-CALIBRATION

5.1 Introduction

As may be seen from the schematic of a Kelvin-Varley voltage divider shown in Figure 1.5, the linearity depends primarily on the equivalence of the resistance steps.

The self-calibration feature takes advantage of this fact by incorporating a Wheatstone bridge to make all the resistance steps equal to one step used as a reference. Adjustable trimmers in the first three decades allow setting the various resistors and shunts with respect to the initial reference resistance. This can compensate for the effects of aging and temperature and results in maintenance of the absolute linearity to ± 0.1 ppm of input.

5.2 End Errors

The absolute linearity deviations specified or verified in the procedure below are with respect to the output terminals, i.e. they assume that the settings of 0 and 1.0 are defined as correct. Linearity relative to the input, i.e. terminal linearity requires the following procedure. Two end corrections are obtained, one relative to the input common terminal and the second relative to the output common terminal. These corrections, as well as the full scale correction, account for the uncompensated portion of the contact and wiring resistances.

If a lead compensator were used, as described in the next chapter, then absolute linearity may be used with-

out consideration for end errors. This is done for example, when two dividers are compared to each other. In other applications, this is not practical and the end error corrections must be applied. Proceed as follows to determine these corrections:

1. Connect the equipment as shown in Figure 5.1 and set the voltage source to 1000 V. **MODE** switch should be at **NORM**, and all switches set to 0. In the tests to follow the voltages measured represent a relation of 10 μ V to .01 ppm. Convert the voltages accordingly. Set the KVD-700 to zero and measure the voltage between the **OUTPUT HIGH** and the **INPUT LOW**. This is the zero or low end correction relative to input common. Confirm that it is $< \pm 0.05$ ppm of input.
2. Change the setup to the configuration of Figure 5.2. Note the change in the polarity of the voltage source. **MODE** switch should be at **NORM**. With the KVD-700 still set to zero, now measure the voltage of the **OUTPUT HIGH** relative to **OUTPUT LOW**. This is the zero or low end correction relative to output common. Confirm that it is $< \pm 0.004$ ppm of input.
3. Modify the setup as shown in Figure 5.3. Set all dials to full scale (999 999 10) and measure the voltage between the **OUTPUT HIGH** and the **INPUT HIGH**. This is the full scale correction. Confirm that it is $< \pm 0.05$ ppm of input.
4. Repeat the above steps for the **1.1 INPUT**. Note that full scale is now 10 99999 10

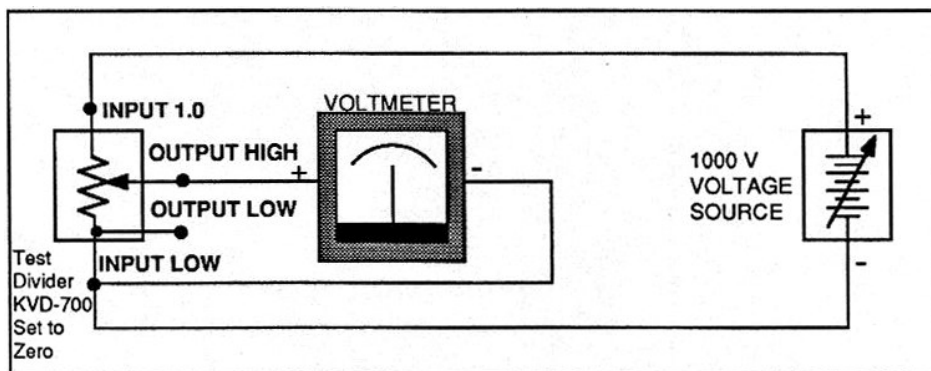


Figure 5.1. Setup Diagram for Measurement of Zero End Correction Relative to Input Common

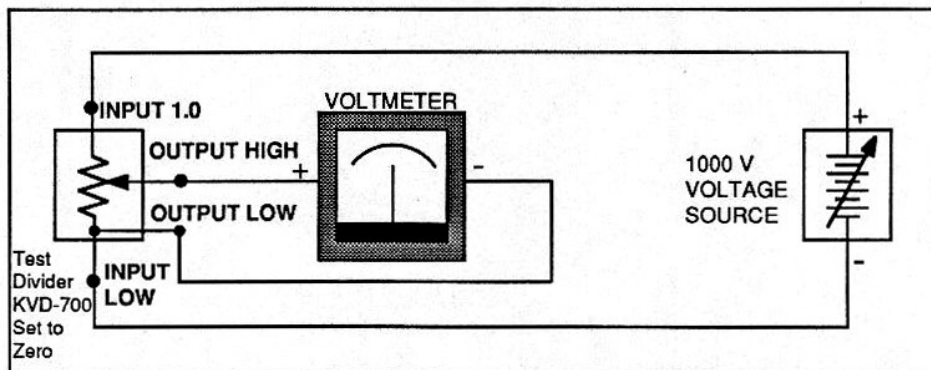


Figure 5.2. Setup Diagram for Measurement of Zero End Correction Relative to Output Common

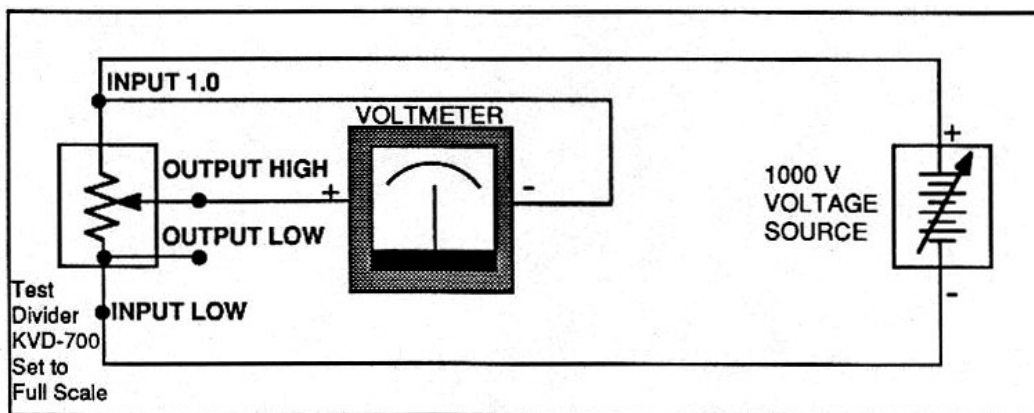


Figure 5.3. Setup Diagram for Measurement of Full Scale Correction

5.3 Self-Calibration Setup

Refer to Figure 5.4 to set up the KVD-700 for self calibration. Use low-thermal-emf connections for best performance.

Prepare a stable dc voltage source, or batteries capable of supplying 10 to 20 V.

Connect a null detector to **BRIDGE DETECTOR** terminals. An analog or digital voltmeter with input impedance $>10\text{ M}\Omega$ may be used if it provides a stable resolution of $0.1\ \mu\text{V}$ or better.

5.4 Self-Calibration Procedure

5.4.1 First Decade

1. Set the KVD-700 switches to .0000000
2. Set the **MODE** switch on the KVD-700 to **CAL A**.
3. Set the null detector to zero with its offset or zero control.
4. Set the dc voltage supply to 20 V ,
5. Connect the dc voltage supply as shown to the **BRIDGE POWER** terminals, as shown. Batteries may be used.
6. Adjust the **BRIDGE BALANCE** control on the KVD-700 for a zero reading on the null detector. Note that this control is a combination of two concentric potentiometers with fine and coarse ranges.
7. Remove the dust cover below the divider knobs by loosening the two thumbscrews. This exposes the trimmers for the first two decades.
8. Advance the most significant decade **A** switch to 0.1
9. Set the leftmost **A DECADE .1** trimmer which may be reached through an access hole to obtain a null reading within $\pm 0.5\ \mu\text{V}$.
10. Repeat the above two steps for **A** decade settings **0.2** through **CAL** and obtain a null with the associated trimmer. Reconfirm periodically the original **BRIDGE BALANCE** null at the **.0** setting of the first decade.

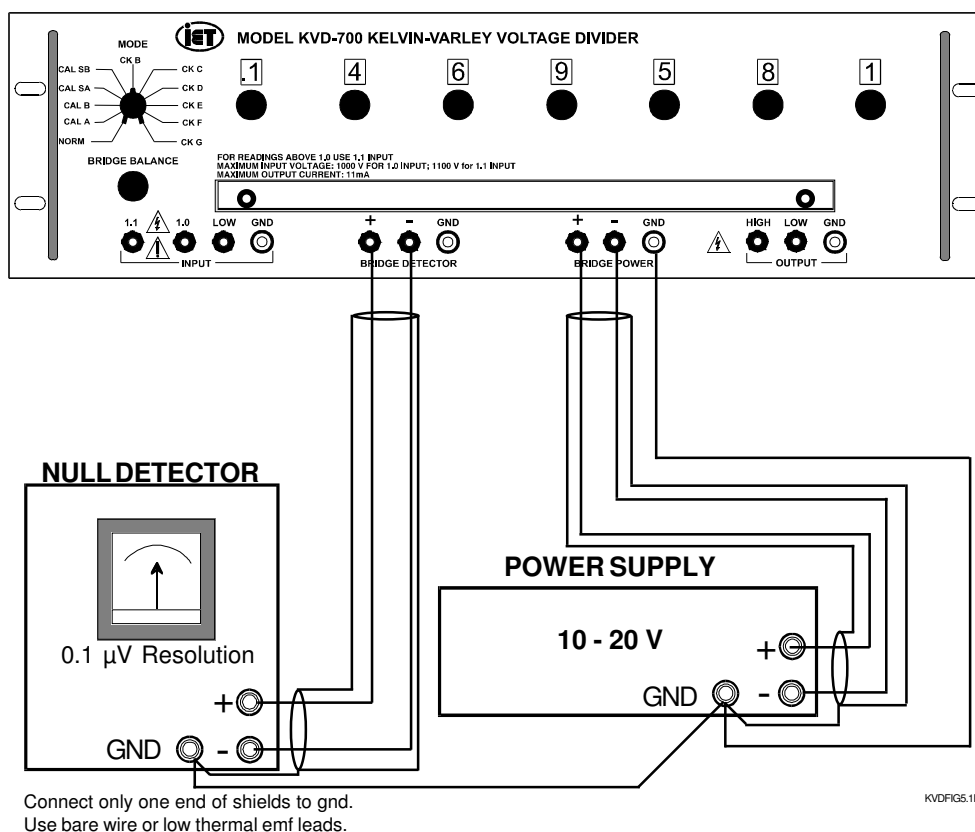


Figure 5.4. Setup for Self-Calibration

5.4.2 Second Decade

1. Set the KVD-700 switches to .0000000
2. Set the null detector to zero with its offset or zero control.
3. Set the dc voltage supply to 10 V.
4. Adjust the **BRIDGE BALANCE** control on the KVD-700 for a null reading on the null detector.
5. Set the **MODE** switch on the KVD-700 to **CAL B**
6. Set the **B DECADE 0** trimmer to obtain a null reading within $\pm 0.5 \mu\text{V}$.
7. Advance the **B** decade one step to 1.
8. Set the **B DECADE 1** trimmer to obtain a null reading within $\pm 0.5 \mu\text{V}$.
9. Repeat the above two steps for **B** decade settings **2** through **CAL** and obtain a null with the associated trimmer. Reconfirm periodically the original null at the .0 setting of the first decade, at **MODE SWITCH** setting **CAL A**.

5.4.3 Shunt Resistors

1. Set the KVD-700 switches to .0000000
2. Set the **MODE** switch on the KVD-700 to **CAL A**.
3. Adjust the null detector to zero with **BRIDGE BALANCE** control on the front panel.
4. Set the **MODE** switch on the KVD-700 to **CAL SA**
5. Set the **SHUNTS SA** trimmer to obtain a null reading within $\pm 1 \mu\text{V}$.
6. Set the dc voltage supply to 20 V.
7. Set the **MODE** switch on the KVD-700 to **CAL A**.
8. Adjust the **BRIDGE BALANCE** control on the KVD-700 for a null reading on the null detector.
9. Set the **MODE** switch on the KVD-700 to **CAL SB**
10. Set the **SHUNTS SB** trimmer to obtain a null reading within $\pm 0.5 \mu\text{V}$.
11. Disconnect the null detector and the power supply.
12. Return the **MODE** switch on the KVD-700 to **NORM**.

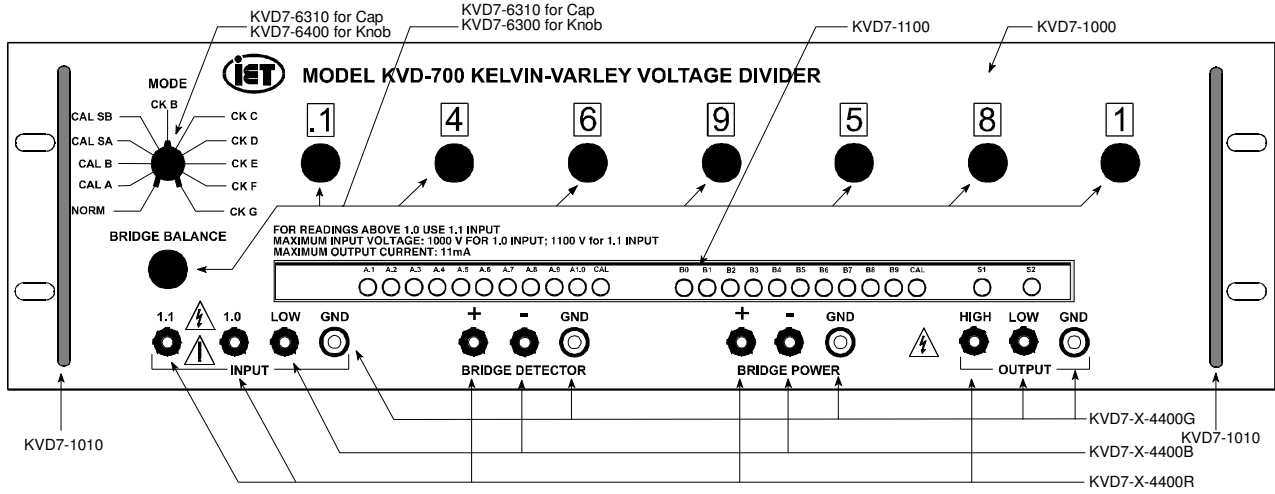


Figure 6.8. Parts Location: Front Panel

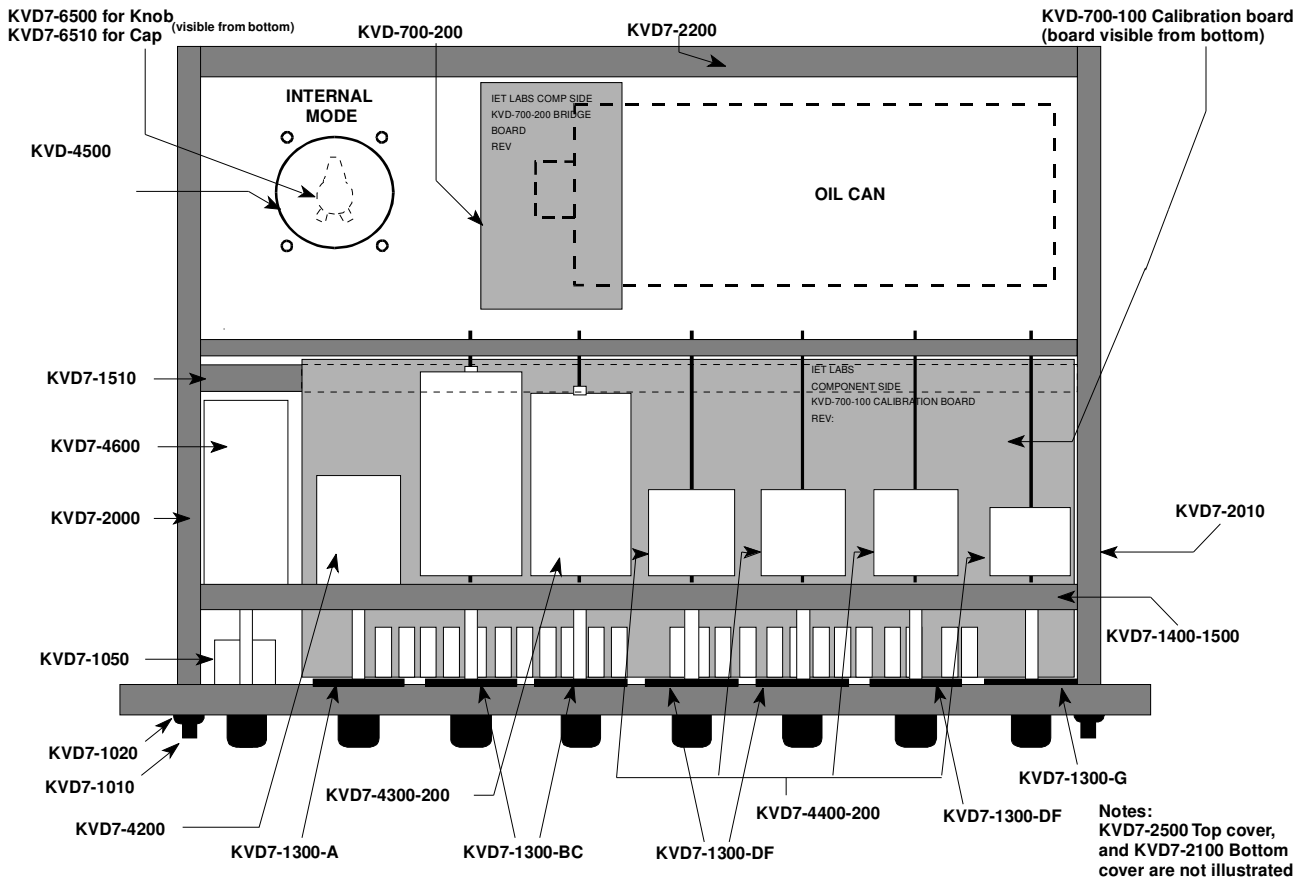


Figure 6.9. Parts Location: Top View of Unit

Appendix A

BIBLIOGRAPHY

The following articles may be useful in understanding the use and calibration of a Kelvin-Varley voltage divider.

1. Andrew F. Dunn, Calibration of a Kelvin-Varley Voltage Divider," National Research Council Report No. 7863.

2. M. L. Morgan and J. C. Riley, "Calibration of Kelvin-Varley Voltage Divider," IRE Trans. on Instrumentation, vol 1-9, pp 237-243; Sept. 1960.