

WR-34 Standard Gain Horn With 2.92mm Female Input and 20 dB Typical Gain Operating Within 22 GHz to 33 GHz Frequency Range

Configuration

Design	WR-34 Standard Gain Horn
Pattern	Directional
Polarization	Linear
Coaxial Interface	2.92mm Female

Electrical Specifications

Description	Min	Typ	Max	Units
Frequency Range	22		33	GHz
Impedance		50		Ohms
Waveguide Standard Gain Horn				
Gain		20		dB
Horizontal 3dB Beam Width		17.4		Degrees
Vertical 3dB Beam Width		17		Degrees
Waveguide to Coaxial Adapter				
Input VSWR			1.25:1	

Mechanical Specifications

Size

Length	4.18 in 106.17 mm
Width/Diameter	1.76 in 44.7 mm
Height	1.29 in 32.77 mm

RF Connector

Type	2.92mm Female
------	---------------

Waveguide Interface

Waveguide Size	WR-34
Body Material and Plating	Aluminum

Environmental Specifications

Compliance Certifications (see [product page](#) for current document)

Plotted and Other Data

Notes:



Fairview Microwave
 1130 Junction Dr. #100
 Allen, TX 75013
 Tel: 1-800-715-4396 / (972) 649-6678
 Fax: (972) 649-6689
www.fairviewmicrowave.com
sales@fairviewmicrowave.com

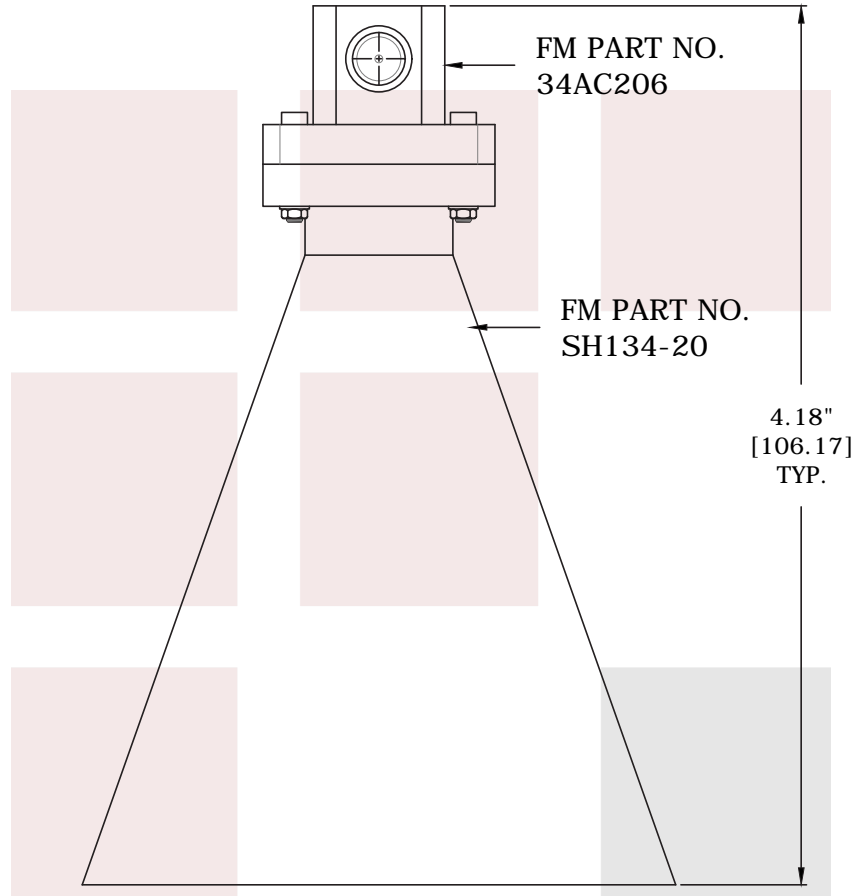
WR-34 Standard Gain Horn With 2.92mm Female Input and 20 dB Typical Gain Operating Within 22 GHz to 33 GHz Frequency Range from Fairview Microwave is in-stock and available to ship same-day. All of our RF/microwave products are available off-the-shelf from our ISO 9001:2008 certified facilities in Allen, Texas. Fairview Microwave is RF on-demand.

For additional information on this product, please click the following link: [WR-34 Standard Gain Horn With 2.92mm Female Input and 20 dB Typical Gain Operating Within 22 GHz to 33 GHz Frequency Range SMH134KR-20](#)

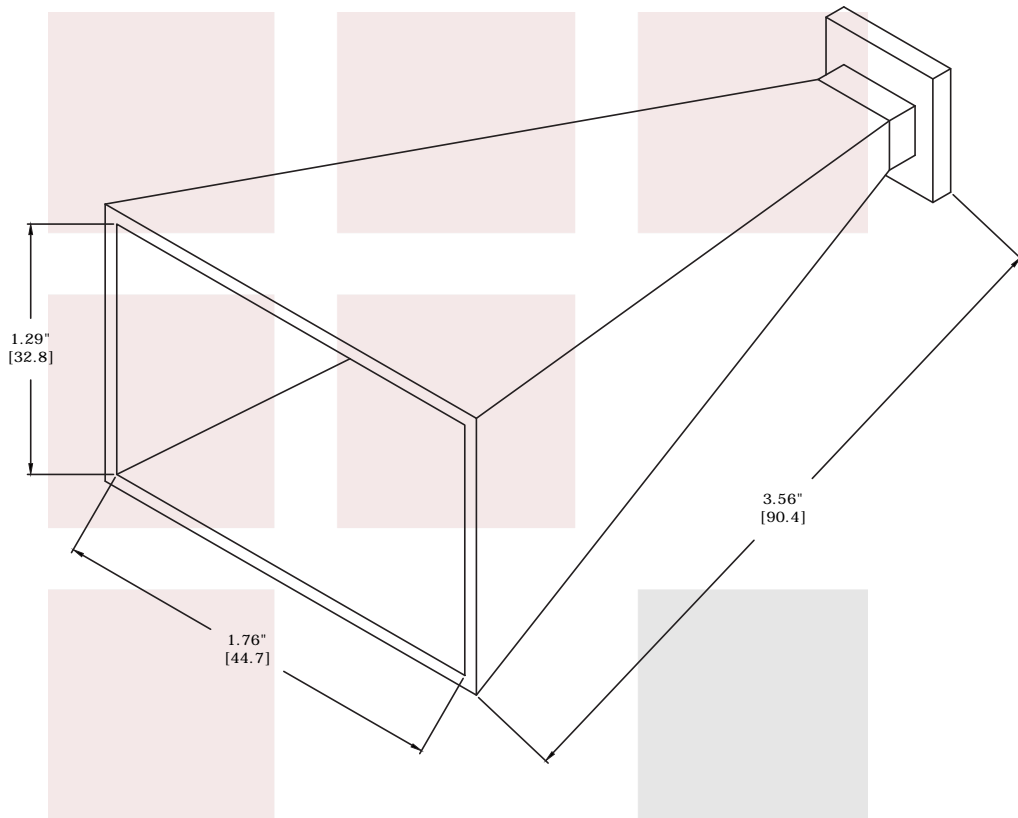
URL: <https://www.fairviewmicrowave.com/wr-34-standard-gain-horn-20-db-2.92mm-smh134kr-20-p.aspx>

The information contained in this document is accurate to the best of our knowledge and representative of the part described herein. It may be necessary to make modifications to the part and/or the documentation of the part, in order to implement improvements. Fairview Microwave reserves the right to make such changes as required. Unless otherwise stated, all specifications are nominal. Fairview Microwave does not make any representation or warranty regarding the suitability of the part described herein for any particular purpose, and Fairview Microwave does not assume any liability arising out of the use of any part or documentation.





FAIRVIEW MICROWAVE INC. ALLEN, TX 75013 WWW.FAIRVIEWMICROWAVE.COM		NOTES: 1. UNLESS OTHERWISE SPECIFIED ALL DIMENSIONS ARE NOMINAL. 2. ALL SPECIFICATIONS ARE SUBJECT TO CHANGE WITHOUT NOTICE AT ANY TIME. 3. DIMENSIONS ARE IN INCHES [mm].			
TITLE WR-34 Standard Gain Horn With 2.92mm Female Input and 20 dB Typical Gain Operating Within 22 GHz to 33 GHz Frequency Range		DWG NO SMH134KR-20		CAGE CODE 3FKR5	
CAD FILE	040416	SHEET	SCALE	N/A	SIZE A 5568



FAIRVIEW MICROWAVE INC. ALLEN, TX 75013 WWW.FAIRVIEWMICROWAVE.COM		NOTES: 1. UNLESS OTHERWISE SPECIFIED ALL DIMENSIONS ARE NOMINAL. 2. ALL SPECIFICATIONS ARE SUBJECT TO CHANGE WITHOUT NOTICE AT ANY TIME. 3. DIMENSIONS ARE IN INCHES [mm].			
TITLE WR-34 Standard Gain Horn With 2.92mm Female Input and 20 dB Typical Gain Operating Within 22 GHz to 33 GHz Frequency Range		DWG NO SMH134KR-20		CAGE CODE 3FKR5	
CAD FILE	040416	SHEET	SCALE	N/A	SIZE A 5568