

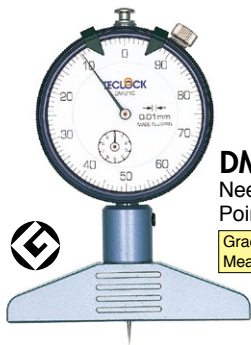
# Depth Gauge

This is an exclusive instrument which measures steps and depth of work piece by hand. Setting "0" by sticking bottom face to measuring basics (zero point) and rotating bezel. (Bezel is fixed by clamp at that time.). Then, it reads with short hand and pointer how contact point is salient from that position. Analog and Digital models are available and they correspond to usage of shape of contact point and basic size. There are such standard models of stroke of 10mm, 20mm and 30mm and it can comparatively measure depth of 220mm to 240mm by connecting extension rods.

## Dial Depth Gauge

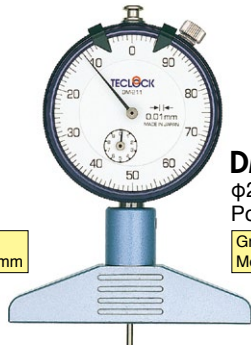
- Dial Depth Gauge can be used to measure depth and steps of work piece and coating thickness.
- 5-240mm range (with the supplied extension rods) are available for wide application.
- Special order is applicable for contact point and base.
- Low measuring force type is also available, which seldom hurts work piece.
- Lifting lever (Option) can be mounted.

### Measuring Range:10mm



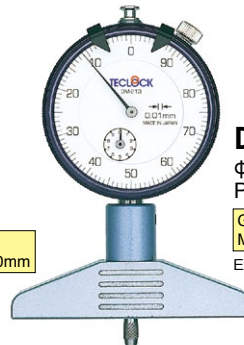
**DM-210**  
Needle Contact Point

Graduation 0.01mm  
Measuring Range 10mm



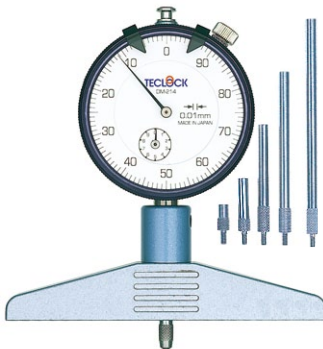
**DM-211**  
φ2 Flat Contact Point

Graduation 0.01mm  
Measuring Range 10mm



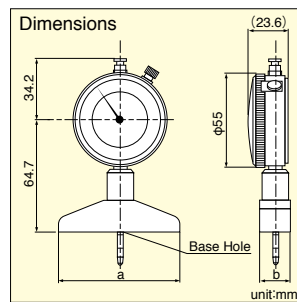
**DM-213**  
φ2 Ball Contact Point

Graduation 0.01mm  
Measuring Range 10mm  
Extension rods options



**DM-214**  
Possible depth measurement of up to 220mm

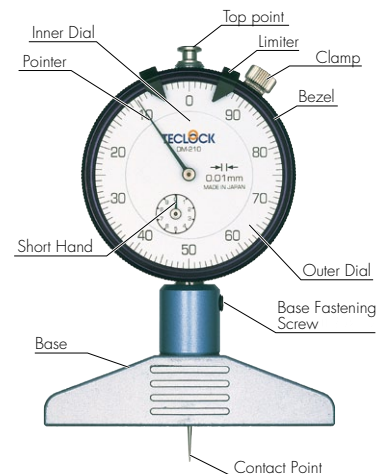
Graduation 0.01mm  
Measuring Range 10mm  
Indication Range 10mm  
with 5-Extension rods



Dimensions Table

Model	Base Form a×b	Base Hole Diameter
DM-210	75×16	2.5
DM-211	75×16	2.5
DM-213	75×16	5.2
DM-214	100×16	5.2

unit:mm



Specifications ※Measuring Range : ( ) value is a range by using 5pcs extension rods.

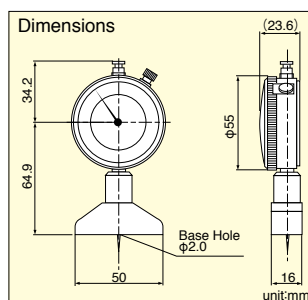
Model	Graduation (mm)	Measuring Range (mm)	Accuracy (μm)	Contact Point Form (mm)	Standard Contact Point	Measuring Force (N)	Weight (g)
DM-210	0.01	10	±12	Needle	ZS-523	1.4以下	270
DM-211	0.01	10	±12	φ2 Flat	ZS-530	1.4以下	270
DM-213	0.01	10	±12	φ3.2 Ball	ZS-034	1.4以下	270
DM-214	0.01	10(220)	±12	φ3.2 Ball	ZS-034	2.5以下	335

### Measuring Range:5mm



**DM-250**  
Small type

Graduation 0.01mm  
Measuring Range 5mm



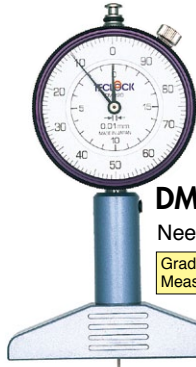
Specifications

Model	Graduation (mm)	Measuring Range (mm)	Accuracy (μm)	Contact Point Form (mm)	Standard Contact Point	Measuring Force (N)	Weight (g)
DM-250	0.01	5	±10	Needle	ZS-518	1.4 or less	230



# Depth Gauge

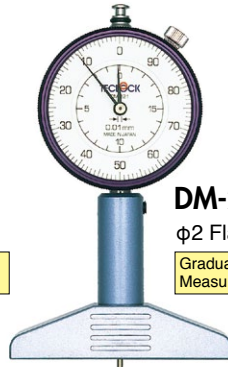
Measuring Range: 20mm / 30mm



**DM-220 / 230**

Needle Contact point

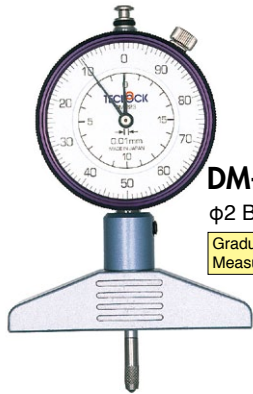
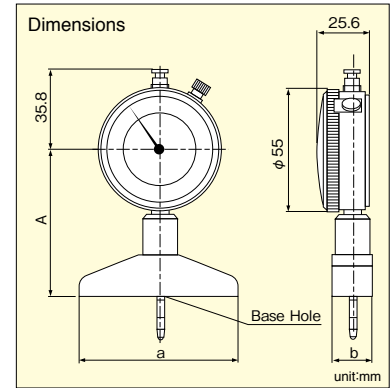
Graduation 0.01mm  
Measuring Range 20mm/30mm



**DM-221**

φ2 Flat Contact Point

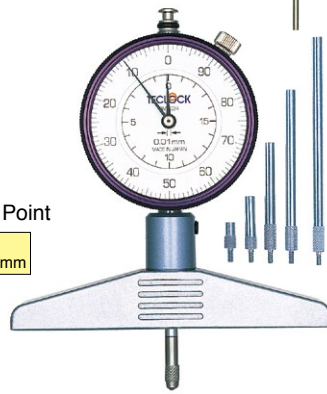
Graduation 0.01mm  
Measuring Range 20mm



**DM-223**

φ2 Ball Contact Point

Graduation 0.01mm  
Measuring Range 20mm



**DM-224/233/234**

Possible depth measurement of up to 230mm (DM-224) / 240mm (DM-233/234)

Graduation 0.01mm  
Measuring Range 230mm/240mm  
Indication Range 20mm/30mm

with 5-Extension rods

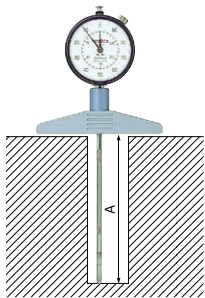
Dimensions Table

Model	A	Base Form a×b	Base Hole Diameter
DM-220	84.7	75×16	2.5
DM-221	84.7	75×16	2.5
DM-223	64.7	75×16	5.2
DM-224	64.7	100×16	5.2
DM-230	84.7	75×16	2.5
DM-233	64.7	75×16	5.2
DM-234	64.7	100×16	5.2

unit:mm

Specifications ※Measuring Range : ( ) value is a range by using 5pcs extension rods.

Model	Graduation (mm)	Measuring Range (mm)	Accuracy (μm)	Contact Point Form (mm)	Standard Contact Point	Measuring Force (N)	Weight (g)
DM-220	0.01	20	±15	Needle	ZS-543	2.2以下	300
DM-221	0.01	20	±15	φ2 Flat	ZS-541	2.2以下	300
DM-223	0.01	20	±15	φ3.2 Ball	ZS-034	2.2以下	275
DM-224	0.01	20 (230)	±15	φ3.2 Ball	ZS-034	2.5以下	340
DM-230	0.01	30	±35	Needle	ZS-543	2.5以下	315
DM-233	0.01	30 (240)	±35	φ3.2 Ball	ZS-034	2.5以下	315
DM-234	0.01	30 (240)	±35	φ3.2 Ball	ZS-034	2.5以下	355



### Depth Gauge with Extension Rods

When all of 5 extension rods of depth gauge with extension rods are connected, it can measure the dimension of deep concavity part of bottom. (Standard dimension set up with master gauge is necessary).

A dimension : Measuring range 10mm Depth Gauge : up to maximum 220mm  
Measuring range 20mm Depth Gauge : up to maximum 230mm  
Measuring range 30mm Depth Gauge : up to maximum 240mm

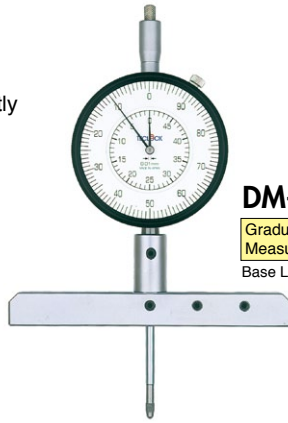


Measuring depth of concavity of work of which center is bored. The photo shows 2.03mm.

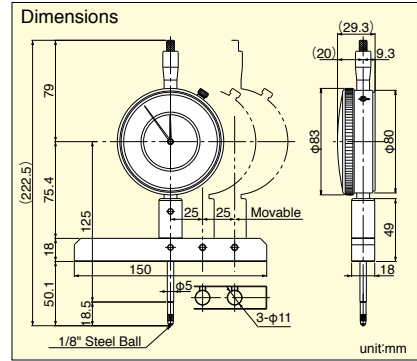


### Measuring Range:50mm

- A large sized depth gauge measurable 0-50mm (actual dimension) depth directly without any extension rod.
- The dial part is a type movable by inserting it into one of 3 holes.



**DM-295**  
 Graduation 0.01mm  
 Measuring Range 50mm  
 Base Length 150mm



Specifications

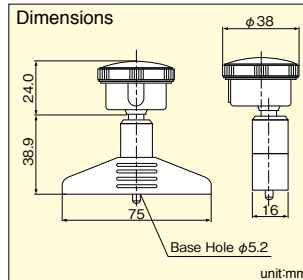
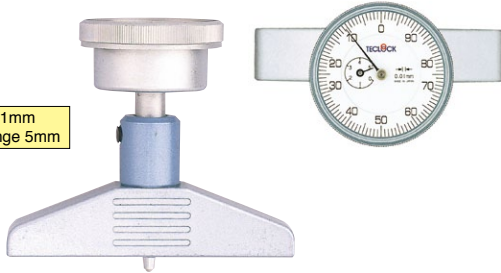
Model	Graduation (mm)	Measuring Range (mm)	Accuracy (μm)	Contact Point Form (mm)	Standard Contact Point	Measuring Force (N)	Weight (g)
DM-295	0.01	50	±50	φ3.2 Ball	ZS-116	2.5以下	750

## Dial Depth Gauge (Special)

### Back plunger type

**DM-273**

Graduation 0.01mm  
 Measuring Range 5mm



Specifications

Model	Graduation (mm)	Measuring Range (mm)	Accuracy (μm)	Contact Point Form (mm)	Standard Contact Point	Measuring Force (N)	Weight (g)
DM-273	0.01	5	±10	φ3.2 Ball	ZS-105	1.4 or less	210

### Round Base type

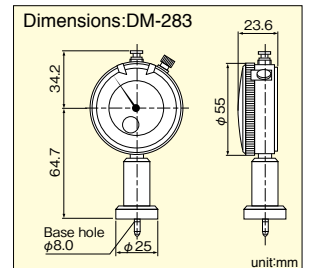
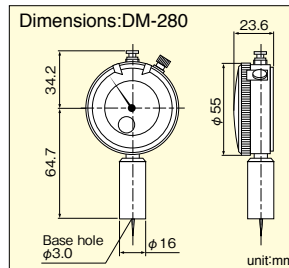
**DM-280**

Graduation 0.01mm  
 Measuring Range 10mm  
 Base form φ16mm



**DM-283**

Graduation 0.01mm  
 Measuring Range 10mm  
 Base form φ25mm



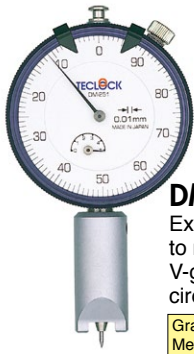
Specifications

Model	Graduation (mm)	Measuring Range (mm)	Accuracy (μm)	Contact Point Form (mm)	Standard Contact Point	Measuring Force (N)	Weight (g)
DM-280	0.01	10	±12	Needle	ZS-523	1.4 or less	175
DM-283	0.01	10	±12	φ3.2 Ball	ZS-034	1.4 or less	185



# Depth Gauge

## Printed circuit board for measurement



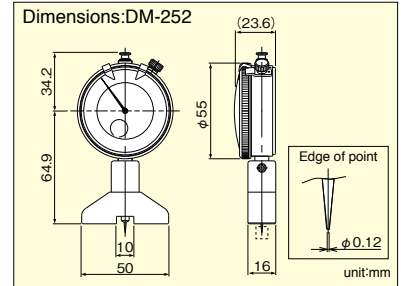
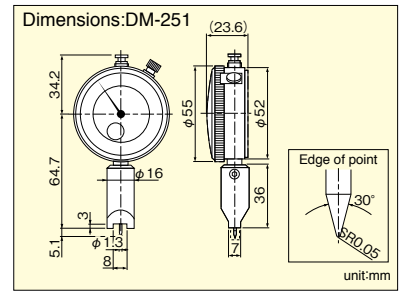
**DM-251**  
Exclusive instrument to measure depth of V-groove of print circuit board.  
Graduation 0.01mm  
Measuring Range 5mm



**DM-252**  
Convex-concave surface can be measured.  
Graduation 0.01mm  
Measuring Range Concave 5mm  
Convex 4mm



V-Grooved depth measurement of Print circuit board by using DM-251.



### Specifications

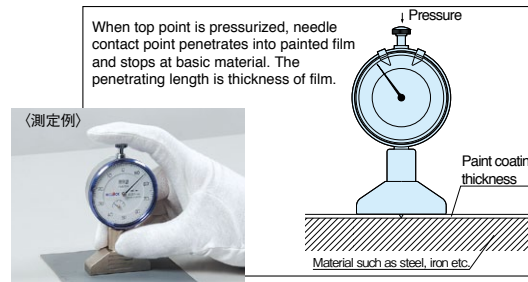
Model	Graduation (mm)	Measuring Range (mm)	Accuracy ( $\mu\text{m}$ )	Contact Point Form (mm)	Standard Contact Point	Measuring Force (N)	Weight (g)
DM-251	0.01	5	$\pm 10$	Special Needle	ZS-106	1.4 or less	165
DM-252	0.01	Concave 5mm Convex 4mm	$\pm 10$	Needle	ZS-595	1.4 or less	230

## Coating Thickness Gauge

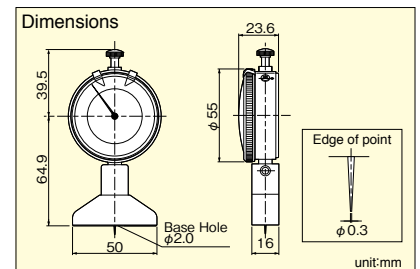
- Exclusive instrument to measure coating thickness of paint, coating materials and sealing materials.
- Handy type and operation is easy.



**DM-264**  
Small-based handy type  
Graduation 0.01mm  
Measuring Range 5mm



Thickness measurement of painted film waterproof stuff (measuring by pressurization)



### Specifications

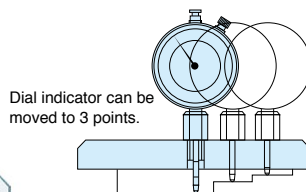
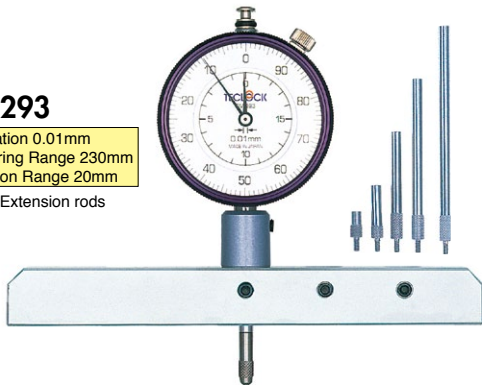
Model	Graduation (mm)	Measuring Range (mm)	Accuracy ( $\mu\text{m}$ )	Contact Point Form (mm)	Standard Contact Point	Measuring Force (N)	Weight (g)
DM-264	0.01	5	$\pm 10$	Needle	ZS-518	1.4 or less	230

## Gauge Slide type

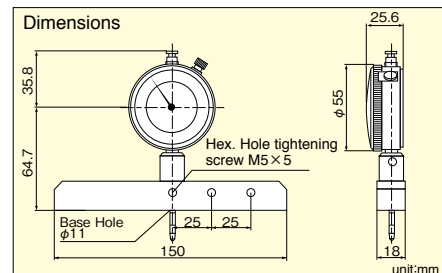
- Steps measurement can be easily made by moving the gauge to 3 mounting holes.

### DM-293

Graduation 0.01mm  
Measuring Range 230mm  
Indication Range 20mm  
With 5-Extension rods



Dial indicator can be moved to 3 points.



### Specifications

※Measuring Range : ( ) value is a Range by using 5pcs extension rods.

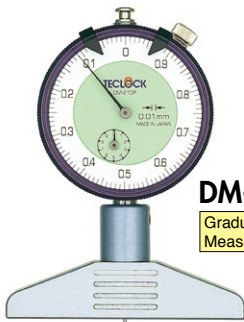
Model	Graduation (mm)	Measuring Range (mm)	Accuracy ( $\mu\text{m}$ )	Contact Point Form (mm)	Standard Contact Point	Measuring Force (N)	Weight (g)
DM-293	0.01	20(230)	$\pm 15$	$\phi 3.2$ Ball	ZS-034	2.5 or less	510



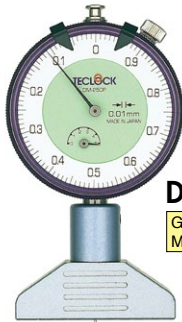


### P Series (0.1mm type)

- This is direct reading specification of which graduation are 0.1-0.9mm.
- 1-10mm can be read by short hand and figure below can be read by pointer. It prevents misreading



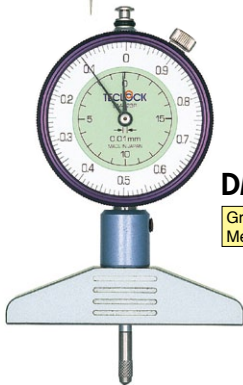
**DM-210P**  
Graduation 0.01mm  
Measuring Range 10mm



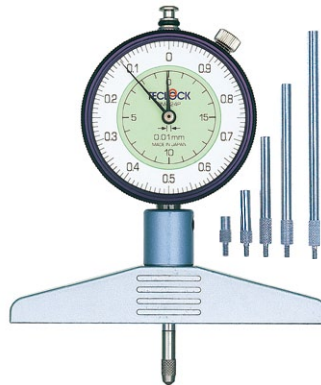
**DM-250P**  
Graduation 0.01mm  
Measuring Range 5mm



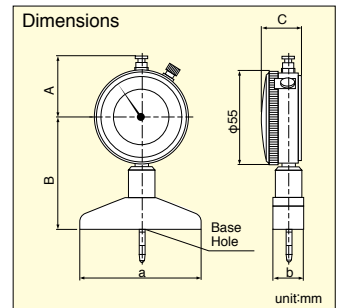
exp. 3.18mm of direct reading.



**DM-223P**  
Graduation 0.01mm  
Measuring Range 20mm



**DM-224P**  
Graduation 0.01mm  
Measuring Range 230mm  
Indication Range 20mm  
With 5-Extension rods



Dimension Table

Model	A	B	C	Base Form axb	Base Hole Diameter
DM-210P	34.2	64.7	23.6	75x16	2.5
DM-250P	34.2	64.9	23.6	50x16	2.0
DM-223P	35.8	64.7	25.6	75x16	5.2
DM-224P	35.8	64.7	25.6	100x16	5.2

unit:mm

Specifications ※Measuring Range : ( ) value is a Range by using 5pcs extension rods.

Model	Graduation (mm)	Measuring Range (mm)	Accuracy ( $\mu$ m)	Contact Point Form (mm)	Standard Contact Point	Measuring Force (N)	Weight (g)
DM-210P	0.01	10	$\pm 12$	Needle	ZS-523	1.4 or less	270
DM-250P	0.01	5	$\pm 10$	Needle	ZS-518	1.4 or less	230
DM-223P	0.01	20	$\pm 15$	$\phi 3.2$ Ball	ZS-034	2.2 or less	275
DM-224P	0.01	20 (230)	$\pm 15$	$\phi 3.2$ Ball	ZS-034	2.5 or less	340



## Conventional Digital Depth Gauge

- Digital Exclusive instrument to measure depth and steps of workpiece.
- Low cost and conventional model of which preset function is deleted from standard digital depth gauges.

- Operation is equal to standard digital depth gauges, but it can not measure by installing extension rods. In case that measuring range is over 10mm, please use standard digital depth gauges.
- Printing out of measured data and statistics arithmetic operation can be implemented by connecting it to optional Digital mini-printer SD-763P shown on page 42.

### 0.01mm Conventional Digital Depth Gauge



**DMD-210S2**  
Needle Contact Points  
Resolution 0.01mm  
Measuring Range 10mm



**DMD-211S2**  
φ2 Flat Needle Contact Point  
Resolution 0.01mm  
Measuring Range 10mm



**DMD-213S2**  
φ3.2 Steel Ball Contact Point  
Resolution 0.01mm  
Measuring Range 10mm



**DMD-250S2**  
Needle Contact Points  
Resolution 0.01mm  
Measuring Range 5mm



**DMD-252S2**  
φ3.2 Steel Ball Contact  
Resolution 0.01mm  
Measuring Range Concave 5mm  
Convex 4mm

### 0.001mm Conventional Digital Depth Gauge



**DMD-2100S2**  
Needle Contact Points  
Resolution 0.001mm  
Measuring Range 10mm



**DMD-2110S2**  
φ2 Flat Needle Contact Point  
Resolution 0.001mm  
Measuring Range 10mm



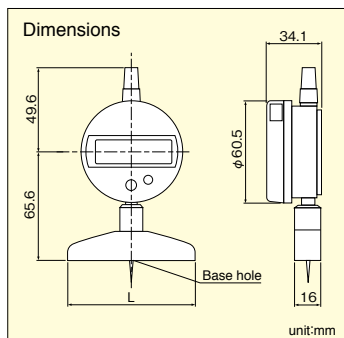
**DMD-2130S2**  
φ3.2 Steel Ball Contact Point  
Resolution 0.001mm  
Measuring Range 10mm



**DMD-2500S2**  
Needle Contact Points  
Resolution 0.001mm  
Measuring Range 5mm



**DMD-2520S2**  
φ3.2 Steel Ball Contact Point  
Resolution 0.001mm  
Measuring Range Concave 5mm  
Convex 4mm



Dimension Table

Model	Base Hole Diameter	L
DMD-210S2	φ2.5	75
DMD-211S2	φ2.5	75
DMD-213S2	φ5.2	75
DMD-250S2	φ2.0	50
DMD-252S2	φ8.0	50
DMD-2100S2	φ2.5	75
DMD-2110S2	φ2.5	75
DMD-2130S2	φ5.2	75
DMD-2500S2	φ2.0	50
DMD-2520S2	φ8.0	50

#### Specifications

Model	Resolution (mm)	Measuring Range (mm)	Accuracy* (μm)	Contact Point Form (or shape) (mm)	Standard Contact Point	Measuring Force (N)	Weight (g)
DMD-210S2	0.01	10	±20	Needle	ZS-523	2.0 or less	270
DMD-211S2	0.01	10	±20	φ2 Flat	ZS-530	2.0 or less	270
DMD-213S2	0.01	10	±20	φ3.2 Steel Ball	ZS-034	2.0 or less	270
DMD-250S2	0.01	5	±20	Needle	ZS-518	2.0 or less	205
DMD-252S2	0.01	Concave 5, Convex 4	±20	Needle	ZS-595	2.0 or less	200
DMD-2100S2	0.001	10	±5	Needle	ZS-523	2.0 or less	300
DMD-2110S2	0.001	10	±5	φ2 Flat	ZS-530	2.0 or less	300
DMD-2130S2	0.001	10	±5	φ3.2 Steel Ball	ZS-034	2.0 or less	300
DMD-2500S2	0.001	5	±5	Needle	ZS-518	2.0 or less	235
DMD-2520S2	0.001	Concave 5, Convex 4	±5	Needle	ZS-595	2.0 or less	230

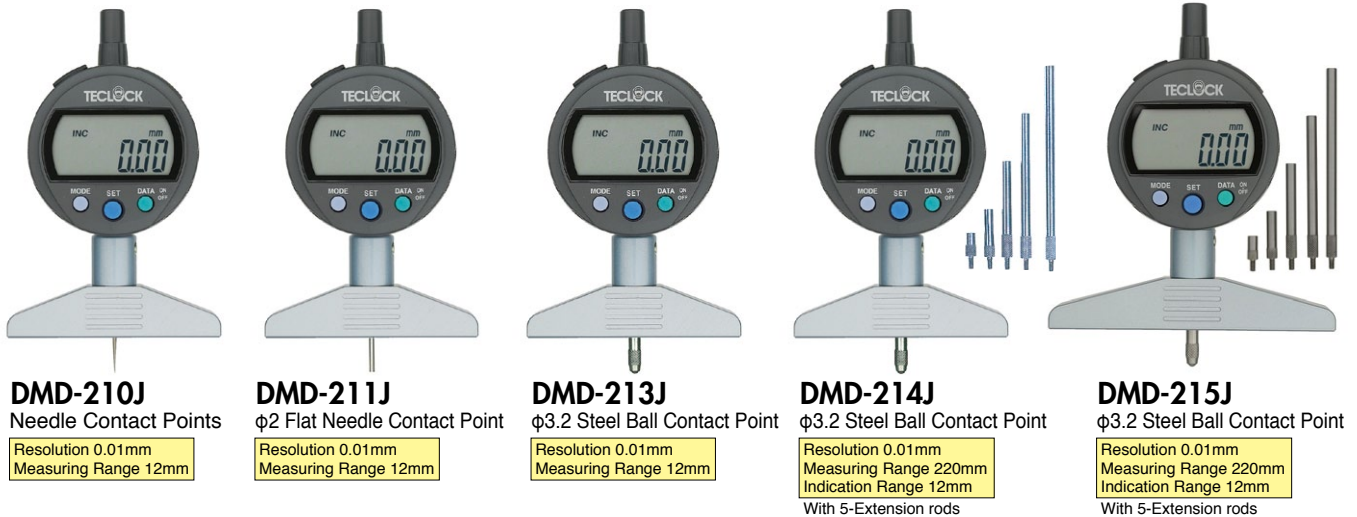
\*The quantizing error function is not included.



# Standard Digital Depth Gauge

- Digital Depth Gauge can be used for direct measuring depth and steps of workpiece.
- Printing out of measured data and statistics arithmetic operation can be implemented by connecting it to optional Digital mini-printer SD-763P shown on page 42.
- Extension rods can be used by Preset function. (excepting DMD-210J, DMD-211J and DMD-2100J).

## 0.01mm Standard Digital Depth Gauge



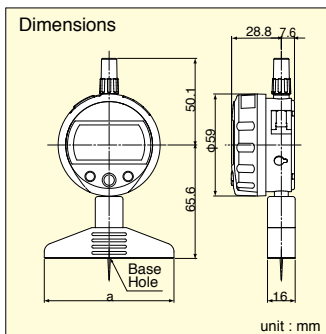
**DMD-210J**  
Needle Contact Points  
Resolution 0.01mm  
Measuring Range 12mm

**DMD-211J**  
φ2 Flat Needle Contact Point  
Resolution 0.01mm  
Measuring Range 12mm

**DMD-213J**  
φ3.2 Steel Ball Contact Point  
Resolution 0.01mm  
Measuring Range 12mm

**DMD-214J**  
φ3.2 Steel Ball Contact Point  
Resolution 0.01mm  
Measuring Range 220mm  
Indication Range 12mm  
With 5-Extension rods

**DMD-215J**  
φ3.2 Steel Ball Contact Point  
Resolution 0.01mm  
Measuring Range 220mm  
Indication Range 12mm  
With 5-Extension rods



Dimension Table

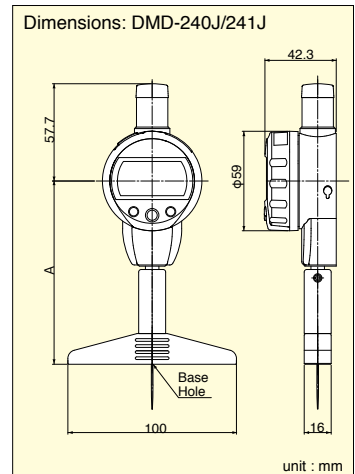
Model	Base form a×b	Base hole diameter
DMD-210J	75×16	φ2.5
DMD-211J	75×16	φ2.5
DMD-213J	75×16	φ5.2
DMD-214J	75×16	φ5.2
DMD-215J	100×16	φ5.2

unit : mm



**DMD-240J**  
Needle Contact Points  
Resolution 0.01mm  
Measuring Range 25.4mm

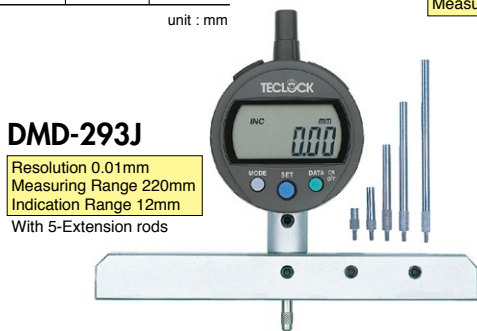
**DMD-241J**  
φ3.2 Steel Ball Contact Point  
Resolution 0.01mm  
Measuring Range 25.4mm



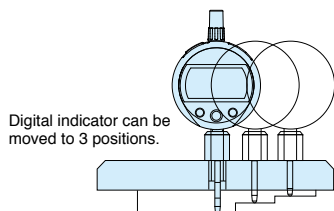
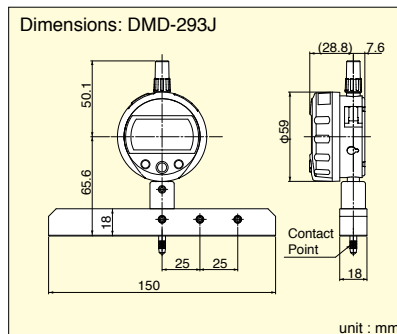
Dimension Table

Model	A
DMD-240J	108.7
DMD-241J	88.7

unit : mm



**DMD-293J**  
Resolution 0.01mm  
Measuring Range 220mm  
Indication Range 12mm  
With 5-Extension rods



Specifications

※Measuring Range : ( ) value is a Range by using 5pcs extension rods.

Model	Resolution (mm)	Measuring Range (mm)	Accuracy* (μm)	Contact Point Form (or shape) (mm)	Standard Contact Point	Measuring Force (N)	Weight (g)
DMD-210J	0.01	12	±20	Needle	ZS-523	1.0 or less	310
DMD-211J	0.01	12	±20	φ2 Flat	ZS-530	1.0 or less	310
DMD-213J	0.01	12	±20	φ3.2 Steel Ball	ZS-034	1.0 or less	310
DMD-214J	0.01	12(220)※	±20	φ3.2 Steel Ball	ZS-034	2.3 or less	335
DMD-215J	0.01	12(220)※	±20	φ3.2 Steel Ball	ZS-034	2.3 or less	375
DMD-240J	0.01	25.4	±20	Needle	ZS-113	1.6 or less	390
DMD-241J	0.01	25.4	±20	φ3.2 Steel Ball	ZS-600	1.6 or less	370
DMD-293J	0.01	12(220)※	±20	φ3.2 Steel Ball	ZS-034	2.3 or less	545

\*The quantizing error function is not included.



## 0.001mm Standard Digital Depth Gauge



**DMD-2100J**  
Needle Contact Points  
Resolution 0.001mm  
Measuring Range 12mm



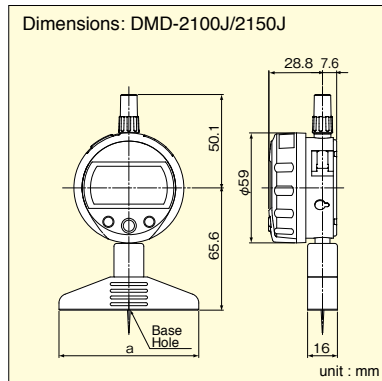
**DMD-2150J**  
φ3.2 Steel Ball Contact Point  
Resolution 0.001mm  
Measuring Range 220mm  
Indication Range 12mm  
With 5-Extension rods



**DMD-2400J**  
Needle contact points  
Resolution 0.001mm  
Measuring Range 25.4mm



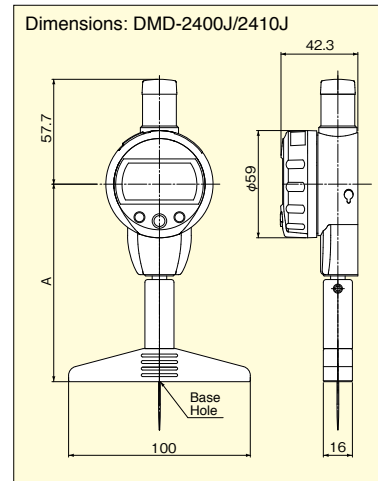
**DMD-2410J**  
φ3.2 Steel Ball Contact Point  
Resolution 0.001mm  
Measuring Range 25.4mm



Dimension Table

Model	Base Foam a×b	Base Hole Diameter
DMD-2100J	75×16	φ2.5
DMD-2150J	100×16	φ5.2

unit : mm



Dimension Table

Model	A
DMD-2400J	108.7
DMD-2410J	88.7

unit : mm

### Specifications

※Measuring Range : ( ) value is a Range by using 5pcs extension rods.

Model	Resolution (mm)	Measuring Range (mm)	Accuracy* (μm)	Contact Point Form (or shape) (mm)	Standard Contact Point	Measuring Force (N)	Weight (g)
DMD-2100J	0.001	12	±5	Needle	ZS-523	1.0 or less	310
DMD-2150J	0.001	12(220)※	±5	φ3.2 Steel Ball	ZS-034	2.3 or less	375
DMD-2400J	0.001	25.4	±5	Needle	ZS-113	1.6 or less	390
DMD-2410J	0.001	25.4	±5	φ3.2 Steel Ball	ZS-600	1.6 or less	370

\*The quantizing error function is not included.



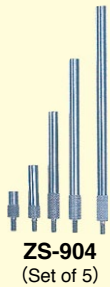


## Parts & Accessories

### Contact Point

ZS-523		ZS-518		ZS-543		ZS-541	
	Standard fitment DM-210 DM-210P DM-280 DMD-210J DMD-2100J DMD-210S2 DMD-2100S2		Standard fitment DM-250 DM-250P DM-264 DMD-250S2 DMD-2500S2		Standard fitment DM-220 DM-230		Standard fitment DM-221
ZS-105		ZS-034		ZS-530		ZS-595	
	Standard fitment DM-273		Standard fitment DM-213 DM-214 DM-223 DM-223P DM-224 DM-224P DM-233 DM-234 DM-283 DM-293 DMD-213J DMD-214J DMD-215J DMD-293J DMD-2150J DMD-213S2 DMD-2130S2		Standard fitment DM-211 DMD-211J DMD-211S2		Standard fitment DM-252 DMD-252J DMD-252S2 DMD-2520S2
ZS-904		ZS-600		ZS-600		ZS-113	
	Standard fitment DM-214 DM-224 DM-224P DM-233 DM-234 DM-293 DMD-214J DMD-215J DMD-293J		Standard fitment DM-214 DM-224 DM-224P DM-233 DM-234 DM-293 DMD-214J DMD-215J DMD-293J		Standard fitment DMD-241J DMD-2410J		Standard fitment DMD-240J DMD-2400J

### Extension Rods



ZS-904  
(Set of 5)

ZS-663,664,665,666,670	
	Code No. L ZS-670 10 ZS-663 20 ZS-664 40 ZS-665 60 ZS-666 80 Unit:mm
Standard fitment	DM-214 DM-224 DM-224P DM-233 DM-234 DM-293 DMD-214J DMD-215J DMD-293J

## Depth Gauge by Contact Point List

Model	Base hole diameter	Standard contact point	Can be mounted contact point	Model	Base hole diameter	Standard contact point	Can be mounted contact point	Model	Base hole diameter	Standard contact point	Can be mounted contact point													
DM-210	φ2.5	ZS-523	ZS-527 ZS-528 ZS-530	DM-213	φ5.2	ZS-034	ZS-527 ZS-528 ZS-530 ZS-523 ZS-594	DM-251	φ5.2	ZS-106	—													
DM-210P				DM-214				DM-252	φ8.0	ZS-595	—													
DMD-210S2				DM-223				DMD-252S2																
DMD-210J				DM-224				DMD-2520S2																
DMD-2100S2				DM-233				DM-273	φ5.2	ZS-105	—													
DMD-2100J				DM-234				DM-280	φ3.0	ZS-523	ZS-527 ZS-528 ZS-530													
DM-211	DM-223P	DM-283	φ8.0	ZS-034								ZS-527 ZS-528 ZS-530 ZS-523												
DMD-211J	DM-224P												DM-264	φ2.0	ZS-518	-								
DMD-211S2	DM-293																DM-240J	φ2.5	ZS-113	-				
DMD-2110S2	DMD-213S2																				DM-2400J	φ5.2	ZS-600	-
	DMD-213J																							
	DMD-2130S2							DM-2410J	φ5.2	ZS-600	-													
	DMD-214J	DM-250	φ2.0	ZS-518								-												
	DMD-215J												DM-250P	φ2.0	ZS-518	-								
	DMD-2150J				DMD-250S2	φ2.0	ZS-518										-							
	DMD-293J																	DMD-2500S2	φ2.0	ZS-518	-			
	DM-250																					DMD-2500S2	φ2.0	ZS-518
	DM-250P							DMD-2500S2	φ2.0	ZS-518	-													
	DMD-250S2	DMD-2500S2	φ2.0	ZS-518								-												
	DMD-2500S2												DMD-2500S2	φ2.0	ZS-518	-								